

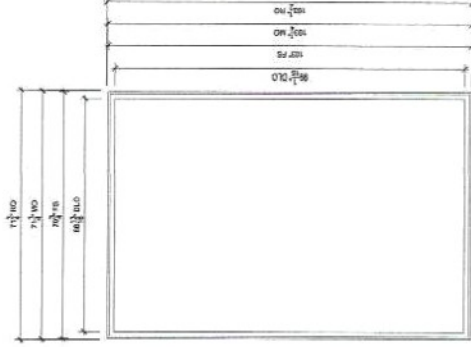
ORDERING PRODUCTS WITH REFERENCE TO SHOP DRAWINGS:
 Before ordering the Marvin Windows and Door products, please contact your
 distributor or contact Marvin Windows and Door directly. Marvin Windows and Door assumes no
 responsibility in guaranteeing product compatibility with the drawings.

REVISION

QUOTER: RTXYWY
 DRAWN: HEATHER DITZEL

PROJECT: MAINE COAST BLINDS BISSMACRO ONLY / MAINE COAST BLINDS BISSMACRO ONLY
 DISTRIBUTOR: ELURIDGE LUMBER & HARDWARE-YORK-00

PK VERSION: 0004.00A.01
 CREATED: 05/07/2024



MACRO ENTRANCE LEFT
 SCALE: 3/4" = 1'-0"

SPECIFICATIONS

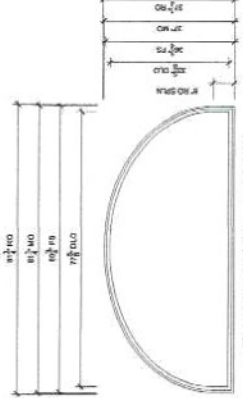
Line 10
 Product Line: Macro Entrance Left
 Material: White
 Finish: White
 Glass: Clear
 Hardware: Silver
 Operation: Manual
 Mounting: Flush Mount
 Color: White
 Depth: 5 1/2"



MACRO ENTRANCE RIGHT
 SCALE: 3/4" = 1'-0"

SPECIFICATIONS

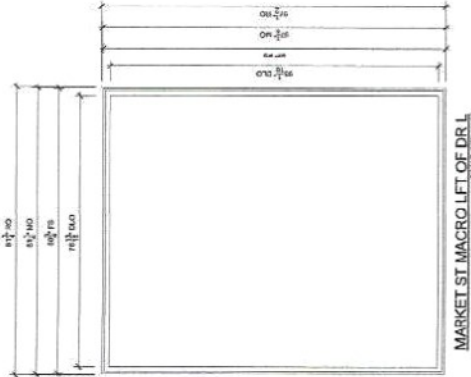
Line 11
 Product Line: Macro Entrance Right
 Material: White
 Finish: White
 Glass: Clear
 Hardware: Silver
 Operation: Manual
 Mounting: Flush Mount
 Color: White
 Depth: 5 1/2"



MARKET ST MACRO LEFT DR UP
 SCALE: 3/4" = 1'-0"

SPECIFICATIONS

Line 10
 Product Line: Market St Macro Left Dr Up
 Material: White
 Finish: White
 Glass: Clear
 Hardware: Silver
 Operation: Manual
 Mounting: Flush Mount
 Color: White
 Depth: 5 1/2"



MARKET ST MACRO LEFT OF DR L
 SCALE: 3/4" = 1'-0"

SPECIFICATIONS

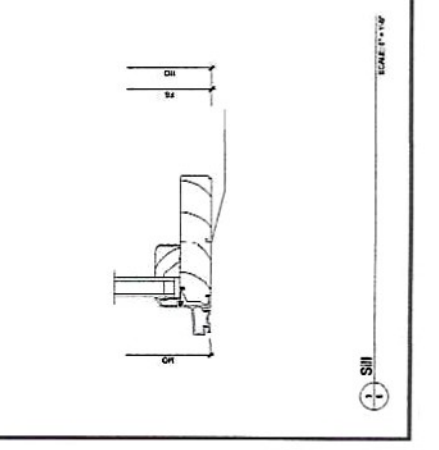
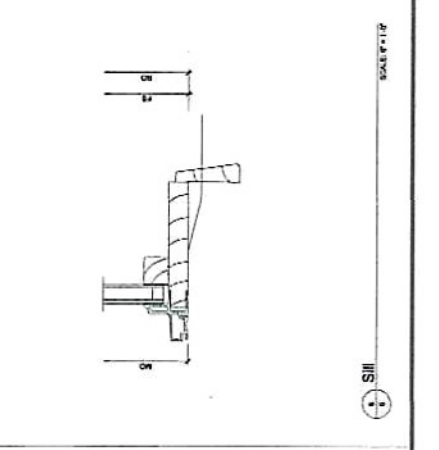
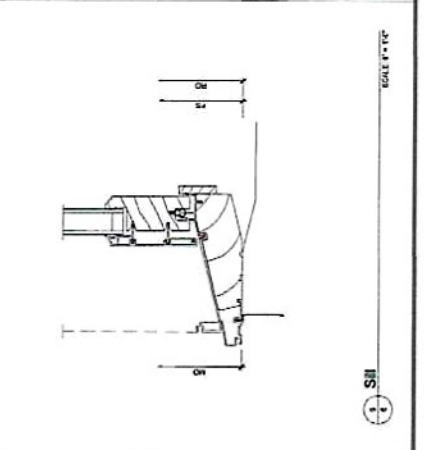
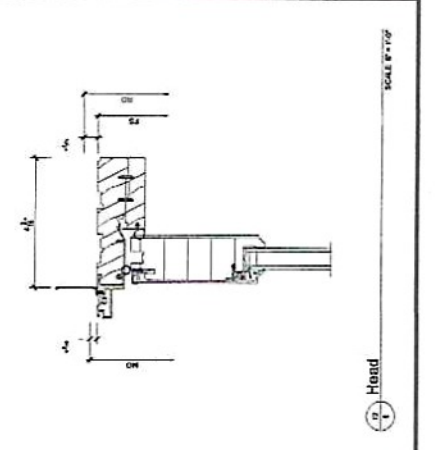
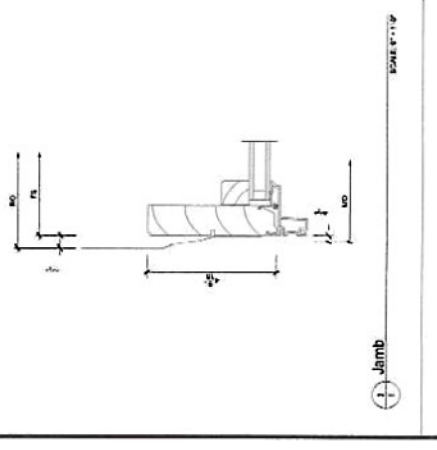
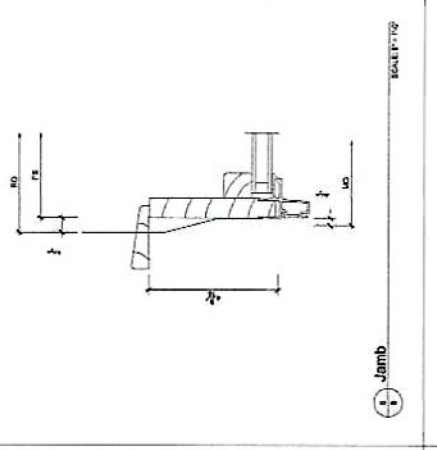
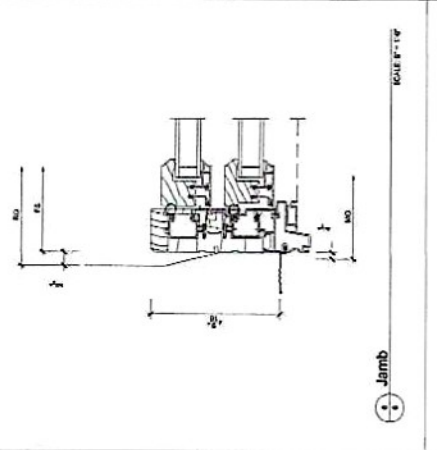
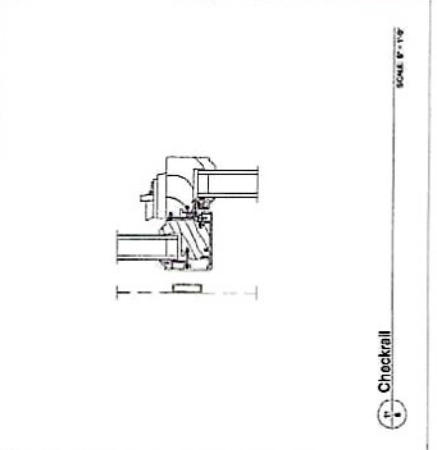
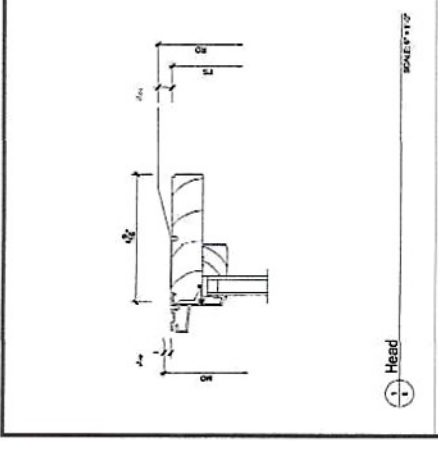
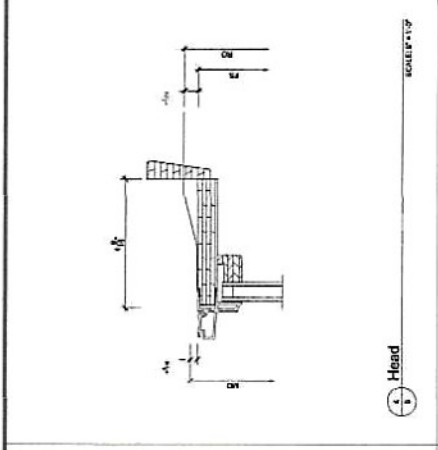
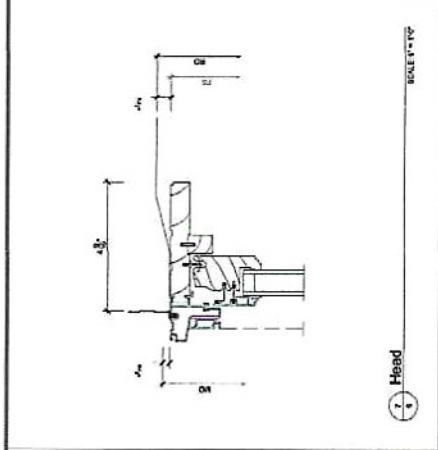
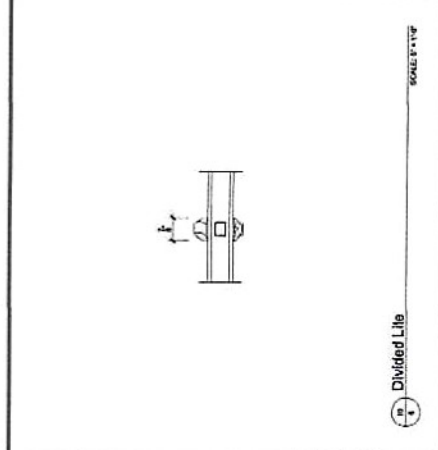
Line 8
 Product Line: Market St Macro Left of Dr L
 Material: White
 Finish: White
 Glass: Clear
 Hardware: Silver
 Operation: Manual
 Mounting: Flush Mount
 Color: White
 Depth: 5 1/2"

DESIGNING PRODUCTS WITH RESPECT TO ENERGY EFFICIENCY.
 (When ordering the Marvin Window and Door products, please refer to the approved figures of purchase and be related to the approved design drawings, a copy of which is provided to you upon purchase of the Marvin Window and Door products.)
 TO BE USED IN CONJUNCTION WITH THE MARVIN WINDOW AND DOOR PRODUCTS.
 THE MARVIN WINDOW AND DOOR PRODUCTS ARE NOT TO BE USED IN CONJUNCTION WITH ANY OTHER PRODUCTS.
 RESPONSIBILITY IN GUARANTEEING PRODUCT PERFORMANCE WITH THE DRAWING.

REVISION: CREATED: 05/07/2024

PK VERSION: 004.09.01

PRODUCE: MARINE COAST BLINDS BUSMAKRO ONLY / MARINE COAST BLINDS BUSMAKRO ONLY
 DISTRIBALER: ELDERIDGE LUMBER & HARDWARE-ONYX-CO
 DRAWN: HEATHER DITZEL
 QUOTE#: RTXYWYM



PROJ: MAINE COAST BLDRS BUSSMACRO ONLY / MAINE COAST BLDRS BUSSMACRO ONLY
 DISTR/DEALER: ELDREGE LUMBER & HARDWARE, YORHK, CO
 QUOTE# RTWVFW

PK VERSION: 0004.08.01

CREATED: 05/07/2024

REVISION

ORDERING PRODUCTS WITH REFERENCE TO SHOP DRAWINGS:
 Before ordering the Marvin Window and Door products located within
 these shop drawings, a copy of your drawings should be sent to
 Marvin Windows & Doors, LLC. The Marvin products located within these
 drawings are subject to change without notice. The Marvin products
 located within these drawings are subject to change without notice.
 It is the responsibility of the architect to ensure that the drawings
 are in accordance with the Marvin Window and Door drawings.



<p>① NOT USED</p> <p>SCALE: 1/4" = 1'-0"</p>	<p>① NOT USED</p> <p>SCALE: 1/4" = 1'-0"</p>	<p>① Sill</p> <p>SCALE: 1/4" = 1'-0"</p>	<p>① Sill</p> <p>SCALE: 1/4" = 1'-0"</p>
<p>① NOT USED</p> <p>SCALE: 1/4" = 1'-0"</p>	<p>① NOT USED</p> <p>SCALE: 1/4" = 1'-0"</p>	<p>① Jamb</p> <p>SCALE: 1/4" = 1'-0"</p>	<p>① Jamb</p> <p>SCALE: 1/4" = 1'-0"</p>
<p>① NOT USED</p> <p>SCALE: 1/4" = 1'-0"</p>	<p>① NOT USED</p> <p>SCALE: 1/4" = 1'-0"</p>	<p>① Jamb</p> <p>SCALE: 1/4" = 1'-0"</p>	<p>① Jamb</p> <p>SCALE: 1/4" = 1'-0"</p>

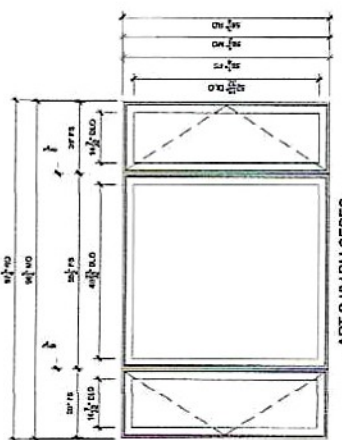


GREENING PRODUCTS WITH REFERENCE TO SHOP DRAWINGS. BEFORE ORDERING, A COPY OF THESE DRAWINGS MUST BE OBTAINED FROM THE ARCHITECT OR THE MANUFACTURER'S REPRESENTATIVE TO ENSURE THAT THE PRODUCTS WILL BE INSTALLED AND OPERATED AS INTENDED. MARVIN PRODUCTS ARE NOT TO BE USED IN CONNECTION WITH ANY OTHER PRODUCTS OR MATERIALS WITHOUT THE WRITTEN CONSENT OF MARVIN PRODUCTS.

REVISION:
 CREATED: 06/07/2024
 PK VERSION: 0004.001.01

QUOTER: DSRTHWS
 DRAWN: HEATHER CRITZEL
 PROJECT: MAINE COAST BLINDS DOPPLER/APTS / MAINE COAST BLINDS DOPPLER APPTS

SHEET 2
 OF 6

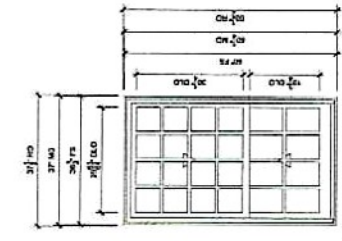


APT 2 LIV RM CERES
 SCALE: 3/4\"/>

- ① Head
- ② Tail
- ③ Jam
- ④ Vertical Fin
- ⑤ Horizontal Fin
- ⑥ B1

SPECIFICATIONS

UNIT # 1
 MA UNV APT 2 LIV RM CERES
 Product Line: A/C with
 Finish: White
 Rough Opening: 37 1/2\"/>

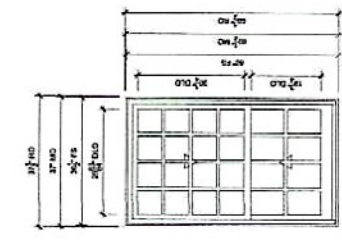


APT 2 LIV RM BOW ST
 SCALE: 3/4\"/>

- ① Head
- ② Tail
- ③ Jam
- ④ Vertical Fin
- ⑤ Horizontal Fin
- ⑥ B1
- ⑦ B2
- ⑧ B3
- ⑨ B4
- ⑩ B5
- ⑪ B6
- ⑫ B7
- ⑬ B8
- ⑭ B9
- ⑮ B10
- ⑯ B11
- ⑰ B12
- ⑱ B13
- ⑲ B14
- ⑳ B15
- ㉑ B16
- ㉒ B17
- ㉓ B18
- ㉔ B19
- ㉕ B20
- ㉖ B21
- ㉗ B22
- ㉘ B23
- ㉙ B24
- ㉚ B25
- ㉛ B26
- ㉜ B27
- ㉝ B28
- ㉞ B29
- ㉟ B30
- ㊱ B31
- ㊲ B32
- ㊳ B33
- ㊴ B34
- ㊵ B35
- ㊶ B36
- ㊷ B37
- ㊸ B38
- ㊹ B39
- ㊺ B40
- ㊻ B41
- ㊼ B42
- ㊽ B43
- ㊾ B44
- ㊿ B45

SPECIFICATIONS

UNIT # 2
 MA UNV APT 2 LIV RM BOW ST
 Product Line: A/C with
 Finish: White
 Rough Opening: 37 1/2\"/>

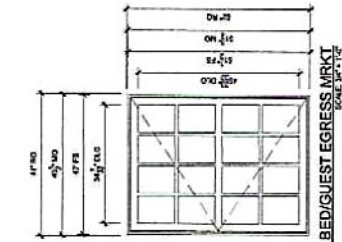


APT 2 GUEST RM BOW ST
 SCALE: 3/4\"/>

- ① Head
- ② Tail
- ③ Jam
- ④ Vertical Fin
- ⑤ Horizontal Fin
- ⑥ B1
- ⑦ B2
- ⑧ B3
- ⑨ B4
- ⑩ B5
- ⑪ B6
- ⑫ B7
- ⑬ B8
- ⑭ B9
- ⑮ B10
- ⑯ B11
- ⑰ B12
- ⑱ B13
- ⑲ B14
- ⑳ B15
- ㉑ B16
- ㉒ B17
- ㉓ B18
- ㉔ B19
- ㉕ B20
- ㉖ B21
- ㉗ B22
- ㉘ B23
- ㉙ B24
- ㉚ B25
- ㉛ B26
- ㉜ B27
- ㉝ B28
- ㉞ B29
- ㉟ B30
- ㊱ B31
- ㊲ B32
- ㊳ B33
- ㊴ B34
- ㊵ B35
- ㊶ B36
- ㊷ B37
- ㊸ B38
- ㊹ B39
- ㊺ B40
- ㊻ B41
- ㊼ B42
- ㊽ B43
- ㊾ B44
- ㊿ B45

SPECIFICATIONS

UNIT # 3
 MA UNV APT 2 GUEST RM BOW ST
 Product Line: A/C with
 Finish: White
 Rough Opening: 37 1/2\"/>

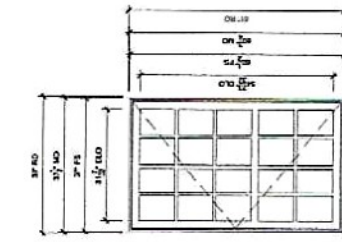


APT 2 BED/GUEST EGRESS MKT
 SCALE: 3/4\"/>

- ① Head
- ② Tail
- ③ Jam
- ④ Vertical Fin
- ⑤ Horizontal Fin
- ⑥ B1
- ⑦ B2
- ⑧ B3
- ⑨ B4
- ⑩ B5
- ⑪ B6
- ⑫ B7
- ⑬ B8
- ⑭ B9
- ⑮ B10
- ⑯ B11
- ⑰ B12
- ⑱ B13
- ⑲ B14
- ⑳ B15
- ㉑ B16
- ㉒ B17
- ㉓ B18
- ㉔ B19
- ㉕ B20
- ㉖ B21
- ㉗ B22
- ㉘ B23
- ㉙ B24
- ㉚ B25
- ㉛ B26
- ㉜ B27
- ㉝ B28
- ㉞ B29
- ㉟ B30
- ㊱ B31
- ㊲ B32
- ㊳ B33
- ㊴ B34
- ㊵ B35
- ㊶ B36
- ㊷ B37
- ㊸ B38
- ㊹ B39
- ㊺ B40
- ㊻ B41
- ㊼ B42
- ㊽ B43
- ㊾ B44
- ㊿ B45

SPECIFICATIONS

UNIT # 4
 MA UNV APT 2 BED/GUEST EGRESS MKT
 Product Line: A/C with
 Finish: White
 Rough Opening: 37 1/2\"/>



APT 3 BED 1/2 MKT ST EGRESS
 SCALE: 3/4\"/>

- ① Head
- ② Tail
- ③ Jam
- ④ Vertical Fin
- ⑤ Horizontal Fin
- ⑥ B1
- ⑦ B2
- ⑧ B3
- ⑨ B4
- ⑩ B5
- ⑪ B6
- ⑫ B7
- ⑬ B8
- ⑭ B9
- ⑮ B10
- ⑯ B11
- ⑰ B12
- ⑱ B13
- ⑲ B14
- ⑳ B15
- ㉑ B16
- ㉒ B17
- ㉓ B18
- ㉔ B19
- ㉕ B20
- ㉖ B21
- ㉗ B22
- ㉘ B23
- ㉙ B24
- ㉚ B25
- ㉛ B26
- ㉜ B27
- ㉝ B28
- ㉞ B29
- ㉟ B30
- ㊱ B31
- ㊲ B32
- ㊳ B33
- ㊴ B34
- ㊵ B35
- ㊶ B36
- ㊷ B37
- ㊸ B38
- ㊹ B39
- ㊺ B40
- ㊻ B41
- ㊼ B42
- ㊽ B43
- ㊾ B44
- ㊿ B45

SPECIFICATIONS

UNIT # 5
 MA UNV APT 3 BED 1/2 MKT ST EGRESS
 Product Line: A/C with
 Finish: White
 Rough Opening: 37 1/2\"/>

QUOTER: DSRTHWS
 DRAWN: HEATHER CRITZEL
 PROJECT: MAINE COAST BLINDS DOPPLER/APTS / MAINE COAST BLINDS DOPPLER APPTS

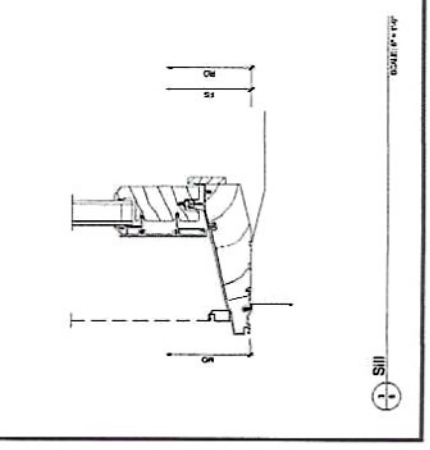
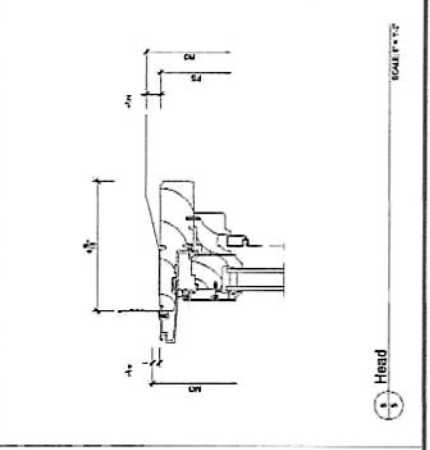
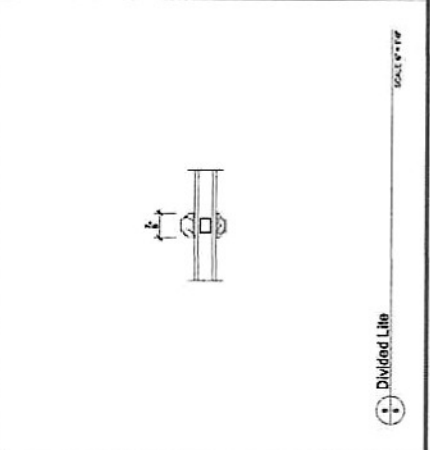
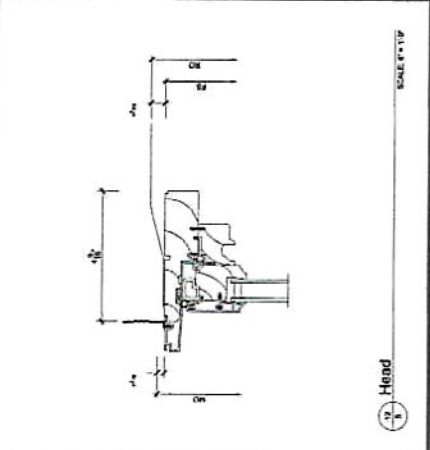
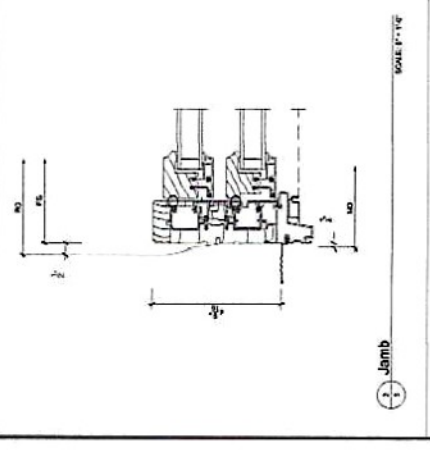
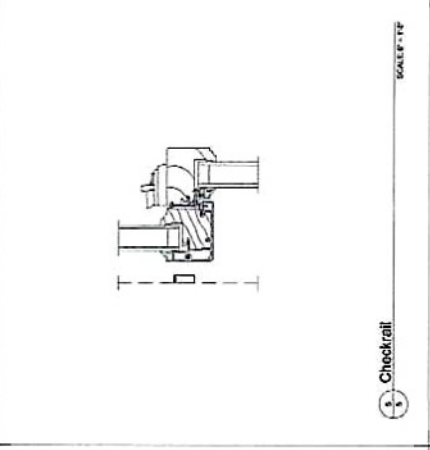
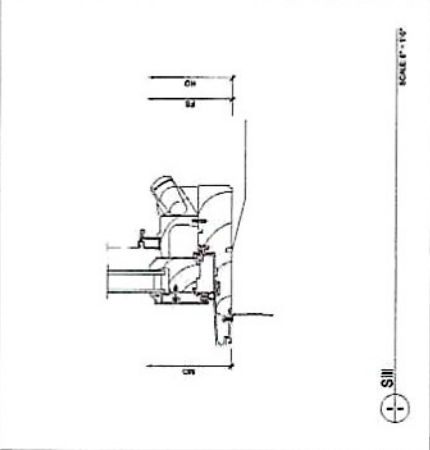
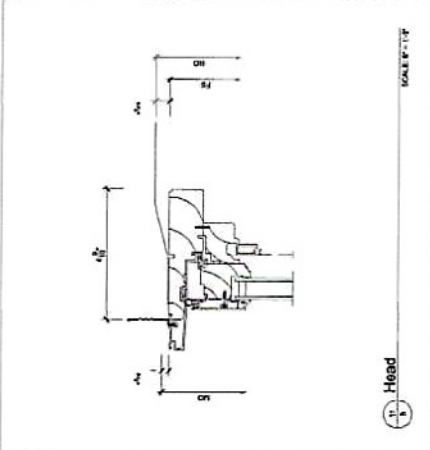
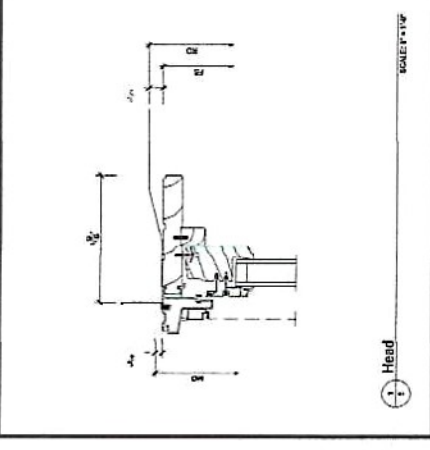
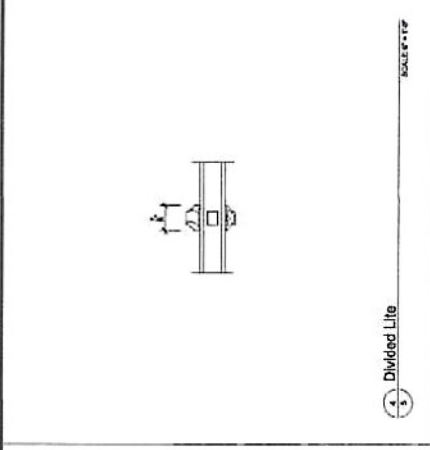
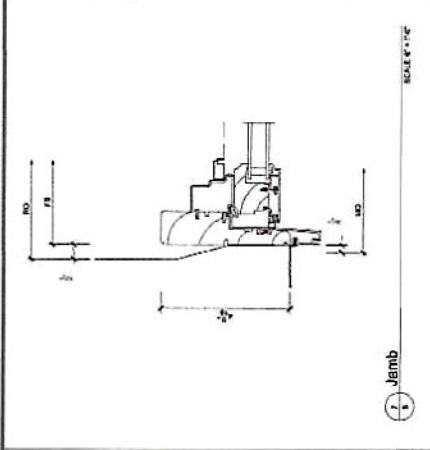
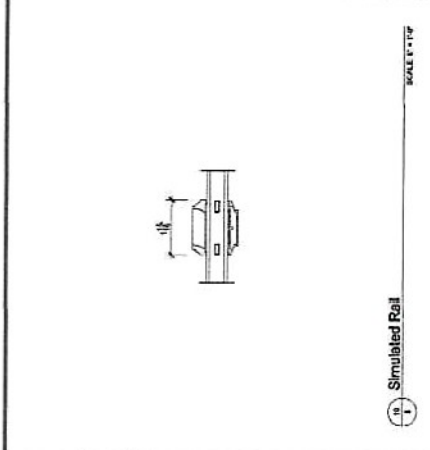
SHEET 2
 OF 6

GOING PRODUCTS WITH REFERENCE TO SHOP DRAWINGS.
 THESE DRAWINGS & COPY OF SHOP DRAWINGS, INCLUDING ALL
 CHANGES IN MATERIALS, DIMENSIONS, FINISHES, AND
 OTHERS, SHALL BE RETURNED TO THE ARCHITECT.
 THE ARCHITECT'S RESPONSIBILITY IS TO OBTAIN ALL
 NECESSARY PERMITS AND APPROVALS FROM THE
 APPROPRIATE AGENCIES, LOCAL, STATE AND FEDERAL.
 MARVIN PRODUCTS SHALL BE INSTALLED IN ACCORDANCE
 WITH THE MARVIN INSTALLATION MANUAL AND THE
 MARVIN WARRANTY POLICY.

REVISION: CREATED: 05/07/2024

PK VERSION: 0004.08.01

PROJECT: MAINE COAST BLINDS DOPPLIN APTS / MAINE COAST BLINDS DOPPLIN APTS
 DRAWN: HEATHER CRITZEL
 QUOTE: DRAWING



GENERAL PRODUCTS WITH REFERENCE TO SPEC DRAWINGS.
 Before making the Marvin Frames and Casement Windows with
 these drawings, a copy of these drawings must be obtained from the
 Division of Building Code, City of New York, Department of Buildings.
 The Division of Building Code, City of New York, Department of Buildings,
 115 West 31st Street, New York, N.Y. 10001, is authorized to
 reproduce these drawings for use in connection with the Marvin
 Windows and Casement Windows. The Division of Building Code,
 City of New York, Department of Buildings, is not responsible for
 the accuracy of the drawings or the performance of the Marvin
 Windows and Casement Windows. The Division of Building Code,
 City of New York, Department of Buildings, is not responsible for
 the accuracy of the drawings or the performance of the Marvin
 Windows and Casement Windows.

QUOTE: D67NWS
 DRAWN: HEATHER DITZEL
 PK VERSION: 004 08 01
 CREATED: 05/07/2004
 REVISION:

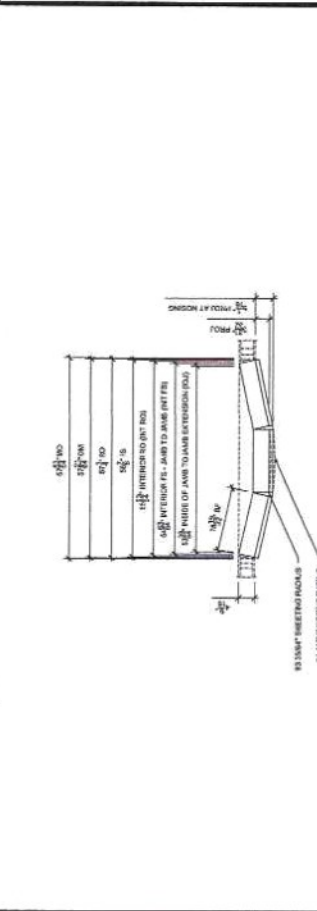
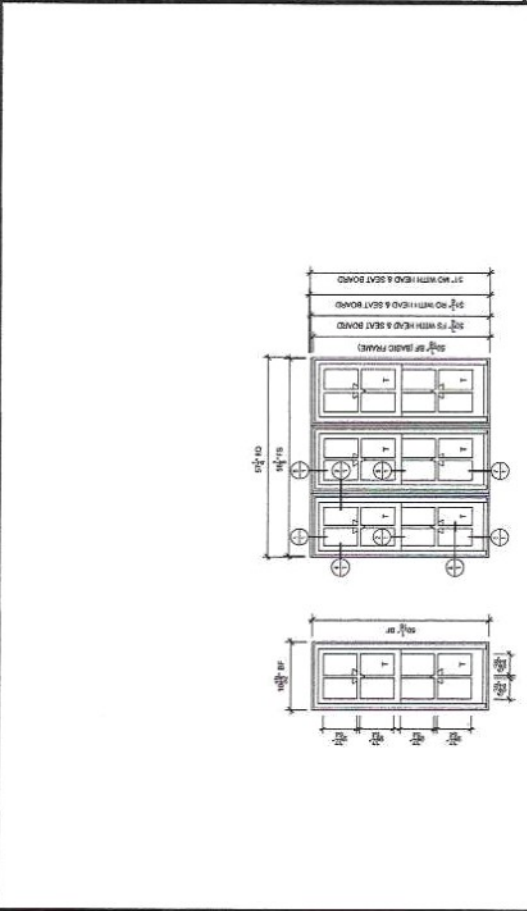
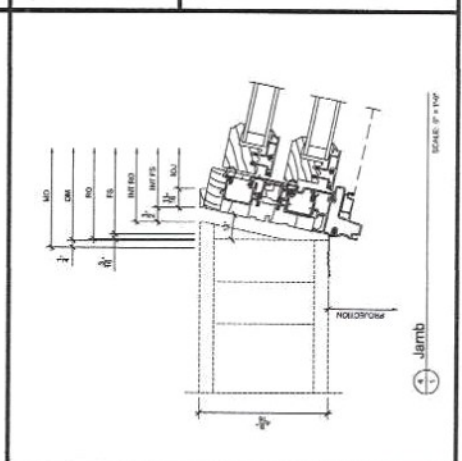
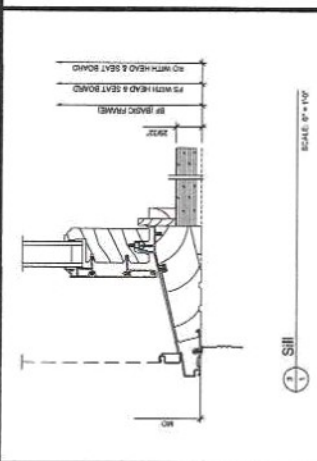
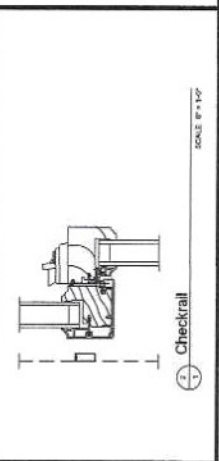
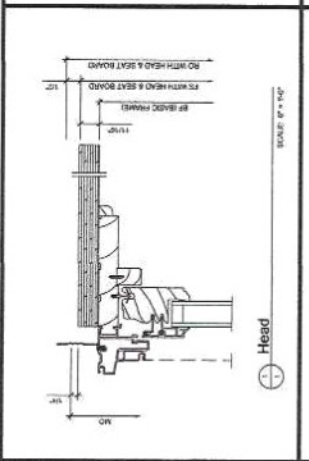
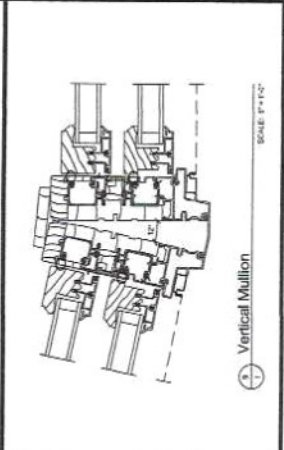
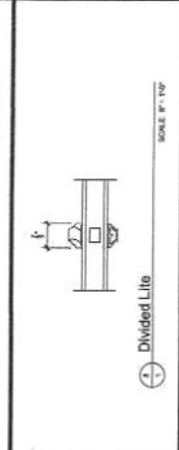
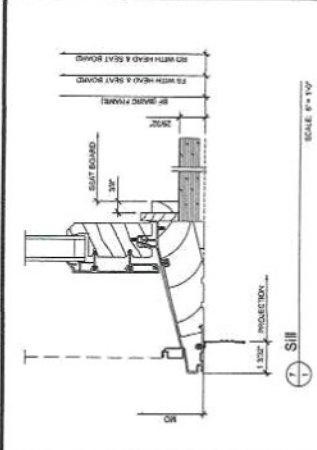
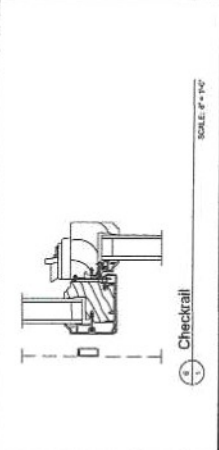
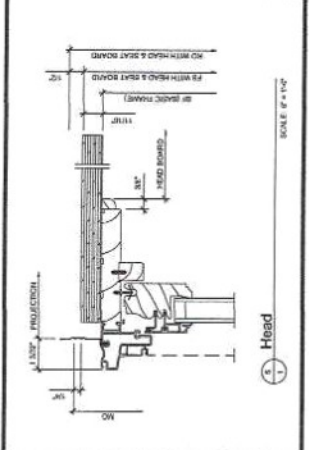
PROJECT: MAINE COAST BLINDS DOPPHIN APTS / MAINE COAST BLDGS DOPPHIN APTS

<p>① Sill</p> <p>SCALE: 1"=1'-0"</p> <p>NOT USED</p> <p>SCALE: 1"=1'-0"</p>	<p>① Sill</p> <p>SCALE: 1"=1'-0"</p> <p>NOT USED</p> <p>SCALE: 1"=1'-0"</p>	<p>① Sill</p> <p>SCALE: 1"=1'-0"</p> <p>NOT USED</p> <p>SCALE: 1"=1'-0"</p>
<p>① Sill</p> <p>SCALE: 1"=1'-0"</p> <p>NOT USED</p> <p>SCALE: 1"=1'-0"</p>	<p>① Sill</p> <p>SCALE: 1"=1'-0"</p> <p>NOT USED</p> <p>SCALE: 1"=1'-0"</p>	<p>① Sill</p> <p>SCALE: 1"=1'-0"</p> <p>NOT USED</p> <p>SCALE: 1"=1'-0"</p>
<p>① Sill</p> <p>SCALE: 1"=1'-0"</p> <p>NOT USED</p> <p>SCALE: 1"=1'-0"</p>	<p>① Sill</p> <p>SCALE: 1"=1'-0"</p> <p>NOT USED</p> <p>SCALE: 1"=1'-0"</p>	<p>① Sill</p> <p>SCALE: 1"=1'-0"</p> <p>NOT USED</p> <p>SCALE: 1"=1'-0"</p>
<p>① Sill</p> <p>SCALE: 1"=1'-0"</p> <p>NOT USED</p> <p>SCALE: 1"=1'-0"</p>	<p>① Sill</p> <p>SCALE: 1"=1'-0"</p> <p>NOT USED</p> <p>SCALE: 1"=1'-0"</p>	<p>① Sill</p> <p>SCALE: 1"=1'-0"</p> <p>NOT USED</p> <p>SCALE: 1"=1'-0"</p>

ORDERING PRODUCTS WITH REFERENCE TO SHOP DRAWINGS:
 Before ordering the Marvin Window and Case products, please contact your
 representative to determine product availability and lead times. Please refer to
 the approved shop drawings. Marvin Windows and Cases drawings are
 subject to change without notice. Please refer to the approved shop drawings.
 Marvin Windows and Cases drawings are subject to change without notice.
 Marvin Windows and Cases drawings are subject to change without notice.

MCB DOLPHIN
BOW WINDOWS ONLY

DISTRIBUTOR: MARVIN
 DEALER: ELDERIDGE LBR & HOME - PORTSMOUTH
 ARCHITECT:
 CONTRACTOR:
 DRAWING NO: 7W0618.DWG DRAWN BY: RMM
 DATE: 06/09/24 REVISION DATE:



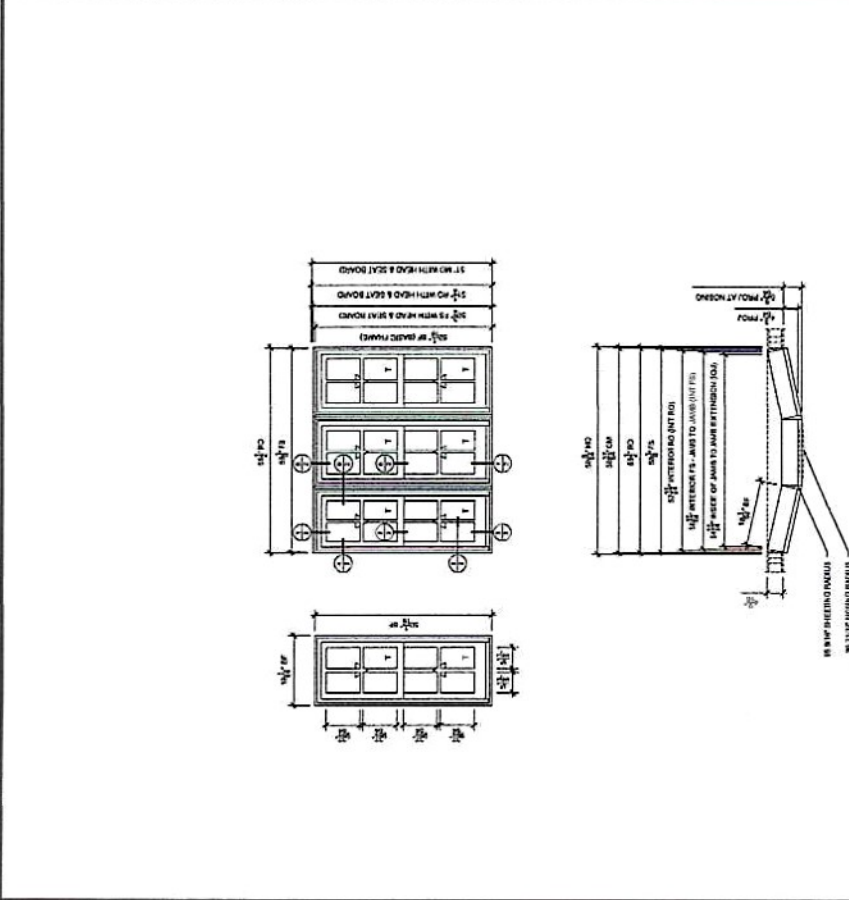
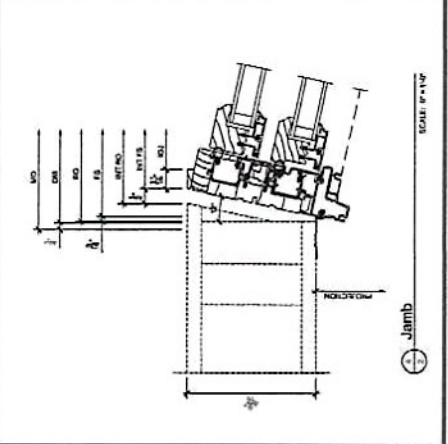
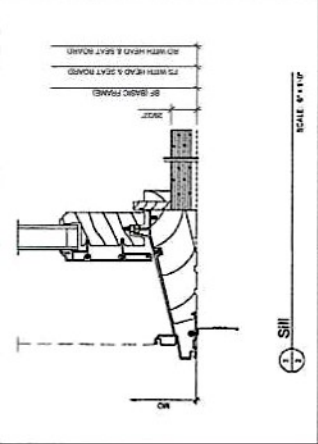
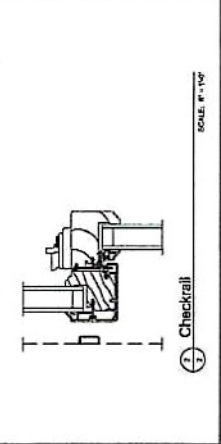
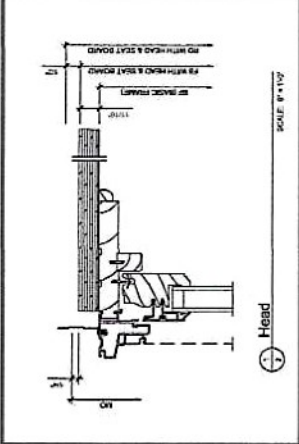
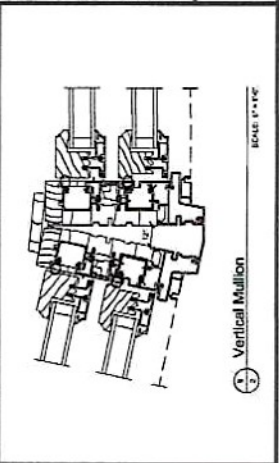
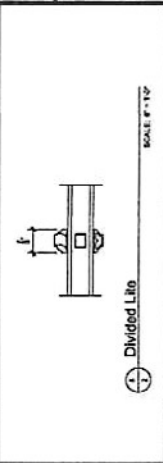
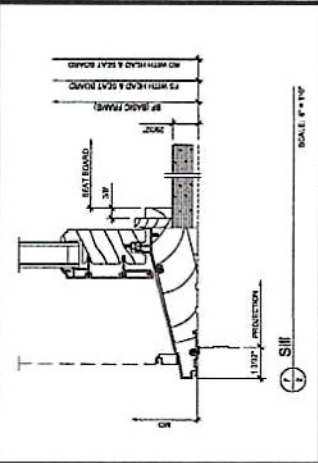
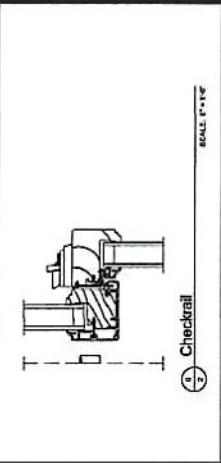
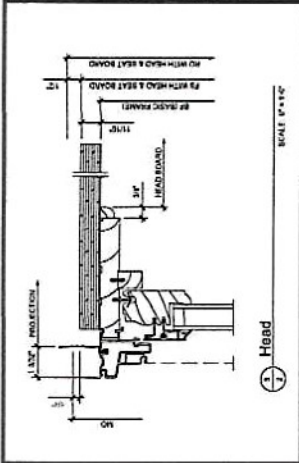
BOW ST. BTM HILL CERES END
 SCALE: 1/4\"/>

Product Line: UltraView
 Division: Marvin Windows
 Unit: Custom Assemblies
 Call Number: 800-875-5273
 Website: www.marvin.com
 1 The use of software to create drawings is not a guarantee of accuracy.
 2 All dimensions are in inches unless otherwise noted.
 3 All dimensions are in inches unless otherwise noted.
 4 All dimensions are in inches unless otherwise noted.
 5 All dimensions are in inches unless otherwise noted.
 6 All dimensions are in inches unless otherwise noted.
 7 All dimensions are in inches unless otherwise noted.
 8 All dimensions are in inches unless otherwise noted.
 9 All dimensions are in inches unless otherwise noted.
 10 All dimensions are in inches unless otherwise noted.

ORDERING PRODUCTS WITH REFERENCE TO SHOP DRAWINGS:
 Before ordering the Marvin Windows and Doors products, please refer to the drawings.
 Marvin Windows and Doors reserves the right to change the drawings without notice.
 The drawings are the property of Marvin Windows and Doors, Inc. and are not to be reproduced or used in any way without the written permission of Marvin Windows and Doors, Inc. Marvin Windows and Doors, Inc. is not responsible for any errors or omissions in the drawings.

**MCB DOLPHIN
 BOW WINDOWS ONLY**

DISTRIBUTOR: MARVIN
 DEALER: EDGEMORE LBR & HDWE - PORTSMOUTH
 CONTRACTOR:
 ARCHITECT:
 DRAWING NO: 2706618.DWG DRAWN BY: RSW
 DATE: 06/20/06 REVISION DATE:

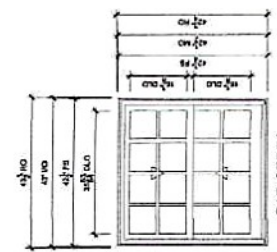


BOW ST NEXT UP SCALE: 3/4\"/>

Call
 Product Line Upgrade
 Blank Vinyl Unit Frame
 Unit Components Assembly In the Box
 1/2\"/>

Call Marvin Windows and Doors, Inc. for more information.
 Marvin Windows and Doors, Inc. is not responsible for any errors or omissions in the drawings.

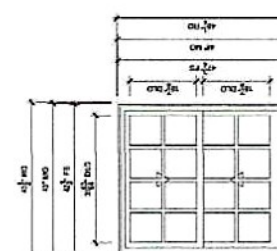
ORDERING PRODUCTS WITH REFERENCE TO SHOP DRAWINGS.
 Make drawings in accordance with the approved shop drawings. Make drawings and shop drawings in accordance with the approved shop drawings. Make drawings and shop drawings in accordance with the approved shop drawings. Make drawings and shop drawings in accordance with the approved shop drawings.



BAR CERES
 SCALE: 1/8" = 1'-0"

Legend: Head, Jamb, Sill, Distich, Distich Lin, Distich Lin

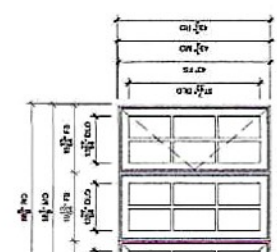
SPECIFICATIONS
 QTY 1
 Unit: Bar Ceres
 Product Line: Ultra
 Material: Aluminum
 Finish: White
 Frame Size: 42 1/2" x 42 1/2"
 Sash Opening: 37 1/2" x 37 1/2"
 Sill: 1 1/2"
 Jamb: 1 1/2"
 Distich: 1 1/2"
 Distich Lin: 1 1/2"
 Call Number: 1000
 Notes: 1. See Shop Drawing for details.
 2. See Shop Drawing for details.
 3. See Shop Drawing for details.
 4. See Shop Drawing for details.
 5. See Shop Drawing for details.
 6. See Shop Drawing for details.
 7. See Shop Drawing for details.
 8. See Shop Drawing for details.
 9. See Shop Drawing for details.
 10. See Shop Drawing for details.



DINING
 SCALE: 1/8" = 1'-0"

Legend: Head, Jamb, Sill, Distich, Distich Lin, Distich Lin

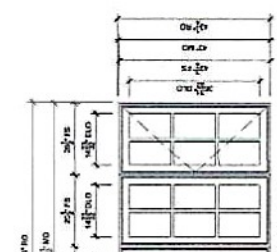
SPECIFICATIONS
 QTY 3
 Unit: Dining
 Product Line: Ultra
 Material: Aluminum
 Finish: White
 Frame Size: 42 1/2" x 42 1/2"
 Sash Opening: 37 1/2" x 37 1/2"
 Sill: 1 1/2"
 Jamb: 1 1/2"
 Distich: 1 1/2"
 Distich Lin: 1 1/2"
 Call Number: 1000
 Notes: 1. See Shop Drawing for details.
 2. See Shop Drawing for details.
 3. See Shop Drawing for details.
 4. See Shop Drawing for details.
 5. See Shop Drawing for details.
 6. See Shop Drawing for details.
 7. See Shop Drawing for details.
 8. See Shop Drawing for details.
 9. See Shop Drawing for details.
 10. See Shop Drawing for details.



BACK BAR CERES
 SCALE: 1/8" = 1'-0"

Legend: Head, Jamb, Sill, Distich, Distich Lin, Distich Lin

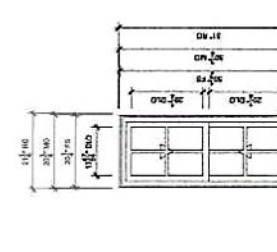
SPECIFICATIONS
 QTY 3
 Unit: Back Bar Ceres
 Product Line: Ultra
 Material: Aluminum
 Finish: White
 Frame Size: 42 1/2" x 42 1/2"
 Sash Opening: 37 1/2" x 37 1/2"
 Sill: 1 1/2"
 Jamb: 1 1/2"
 Distich: 1 1/2"
 Distich Lin: 1 1/2"
 Call Number: 1000
 Notes: 1. See Shop Drawing for details.
 2. See Shop Drawing for details.
 3. See Shop Drawing for details.
 4. See Shop Drawing for details.
 5. See Shop Drawing for details.
 6. See Shop Drawing for details.
 7. See Shop Drawing for details.
 8. See Shop Drawing for details.
 9. See Shop Drawing for details.
 10. See Shop Drawing for details.



BACK BAR CERES
 SCALE: 1/8" = 1'-0"

Legend: Head, Jamb, Sill, Distich, Distich Lin, Distich Lin

SPECIFICATIONS
 QTY 3
 Unit: Back Bar Ceres
 Product Line: Ultra
 Material: Aluminum
 Finish: White
 Frame Size: 42 1/2" x 42 1/2"
 Sash Opening: 37 1/2" x 37 1/2"
 Sill: 1 1/2"
 Jamb: 1 1/2"
 Distich: 1 1/2"
 Distich Lin: 1 1/2"
 Call Number: 1000
 Notes: 1. See Shop Drawing for details.
 2. See Shop Drawing for details.
 3. See Shop Drawing for details.
 4. See Shop Drawing for details.
 5. See Shop Drawing for details.
 6. See Shop Drawing for details.
 7. See Shop Drawing for details.
 8. See Shop Drawing for details.
 9. See Shop Drawing for details.
 10. See Shop Drawing for details.



BOW STENTRANCE
 SCALE: 1/8" = 1'-0"

Legend: Head, Jamb, Sill, Distich, Distich Lin, Distich Lin

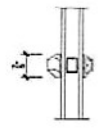
SPECIFICATIONS
 QTY 1
 Unit: Bow Stentrance
 Product Line: Ultra
 Material: Aluminum
 Finish: White
 Frame Size: 42 1/2" x 42 1/2"
 Sash Opening: 37 1/2" x 37 1/2"
 Sill: 1 1/2"
 Jamb: 1 1/2"
 Distich: 1 1/2"
 Distich Lin: 1 1/2"
 Call Number: 1000
 Notes: 1. See Shop Drawing for details.
 2. See Shop Drawing for details.
 3. See Shop Drawing for details.
 4. See Shop Drawing for details.
 5. See Shop Drawing for details.
 6. See Shop Drawing for details.
 7. See Shop Drawing for details.
 8. See Shop Drawing for details.
 9. See Shop Drawing for details.
 10. See Shop Drawing for details.

PHOENIX: MAINE COAST BLDRS DOPJLN STRIKER RESTURANT
 QUOTE# 22E165E
 DISTRIBUTOR: EDUNDEE LUMBER & HARDWARE-YORK CO
 REVISED: 05/07/2024
 PK VERSION: 0094.08.01

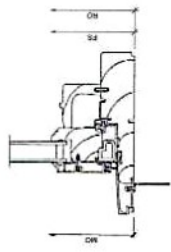
ORDERING PRODUCTS WITH REFERENCE TO SHOP DRAWINGS.
Having reviewed the Marvin Window and Door product literature with
approved signatory of the purchaser shall be limited to the applicable
terms and conditions of the Marvin Window and Door product literature.
The Marvin Window and Door product literature and related drawings
to be approved and signed by Marvin Windows and Doors shall be
responsibility in guaranteeing product dimensions with the drawings.



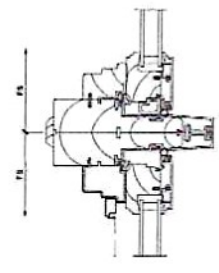
11 Divided Lite SCALE: 1/4" = 1'-0"



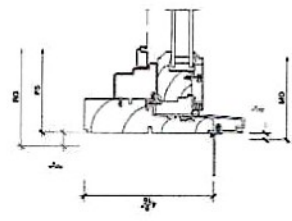
12 Sill SCALE: 1/4" = 1'-0"



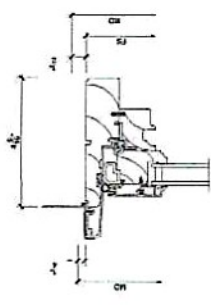
13 Vertical Mullion SCALE: 1/4" = 1'-0"



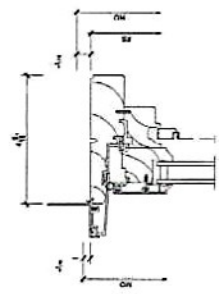
14 Jamb SCALE: 1/4" = 1'-0"



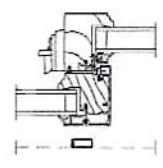
15 Head SCALE: 1/4" = 1'-0"



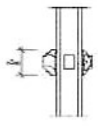
16 Head SCALE: 1/4" = 1'-0"



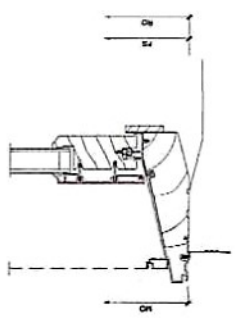
17 Checkrail SCALE: 1/4" = 1'-0"



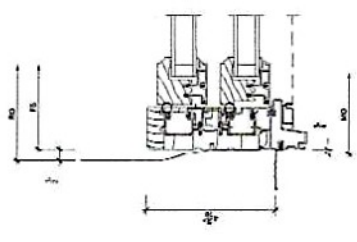
18 Divided Lite SCALE: 1/4" = 1'-0"



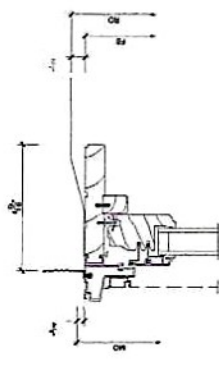
19 Sill SCALE: 1/4" = 1'-0"



20 Jamb SCALE: 1/4" = 1'-0"



21 Head SCALE: 1/4" = 1'-0"





ORDERING PROJECTS WITH REFERENCE TO SHOP DRAWINGS:
 Before ordering the Marvin Window and Door products, please refer to the
 drawings and specifications of the product that is required in the Architectural
 Schedule. If the drawings and specifications do not include the Marvin Window
 and Door product, please contact your Marvin representative for assistance.
 Responsibility is guaranteed product conditions with the drawings.

REVISION
 CREATED: 05/07/2024

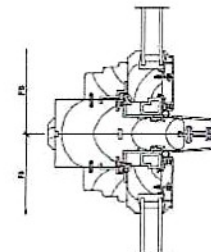
PK VERSION: 0004.00.01

QUOTA#: 226.1952
 DRAWN: HEATHER DITZEL

DISTRICTOR: ELBRIDGE LUMBER & HARDWARE-YORK CO

PROJECT: MARNE COAST BLINDS DOLPHIN STRIKER RESTAU / MARNE COAST BLINDS DOLPHIN RESTAURANT

SHEET
 3
 OF 3

<p>① NOT USED</p> <p>SCALE: 8" = 1'-0"</p>	<p>② NOT USED</p> <p>SCALE: 8" = 1'-0"</p>	<p>③ NOT USED</p> <p>SCALE: 8" = 1'-0"</p>	<p>④ Vertical Mullion</p> <p>SCALE: 8" = 1'-0"</p> 
<p>① NOT USED</p> <p>SCALE: 8" = 1'-0"</p>	<p>② NOT USED</p> <p>SCALE: 8" = 1'-0"</p>	<p>③ NOT USED</p> <p>SCALE: 8" = 1'-0"</p>	<p>④ NOT USED</p> <p>SCALE: 8" = 1'-0"</p>
<p>① NOT USED</p> <p>SCALE: 8" = 1'-0"</p>	<p>② NOT USED</p> <p>SCALE: 8" = 1'-0"</p>	<p>③ NOT USED</p> <p>SCALE: 8" = 1'-0"</p>	<p>④ NOT USED</p> <p>SCALE: 8" = 1'-0"</p>



