

RFP 35-18
Intersection Improvement Project U.S. Route 1 at Andrew Jarvis Drive
Addendum 2
Issued: February 13, 2018

This Addendum forms part of the original document marked “RFP 35-18 Intersection Improvement Project U.S. Route 1 at Andrew Jarvis Drive”.

The following questions have been asked and answered.

- Can we get a check on the item number 632.321? From the special provisions it appears that what they want falls under item number 632.82, as this is what was requested by the Portsmouth bike facility in an earlier contract.
 - Yes, Item 632.321 for the Andrew Jarvis project is nearly identical to Item 632.82 which is/was included in the bike lane project. The only difference was the item number, but they are basically requiring the same work.
- Item 607.5106 – The specifications call for pressure treated wood, our supplier informed me that they typically use cedar for this type of fence. Is cedar in lieu of pressure treated acceptable to the engineer for this item?
 - Yes.
- Item 607.5346 – The NHDOT specifications do not seem to match the description. Can the engineer provide a detail for this item?
 - The detail is provided as an attachment to this addendum. All occurrences of Item 607.5346 should be renamed to read “WOOD RAILING FENCE”. The correct height should be 3’10”.
- Why isn’t there an Item number list for Fine Grading?
 - Fine grading is subsidiary work.

Replace page 16 of the bid forms with the attached page 16.

Attached is the mandatory pre-bid meeting list of attendees.

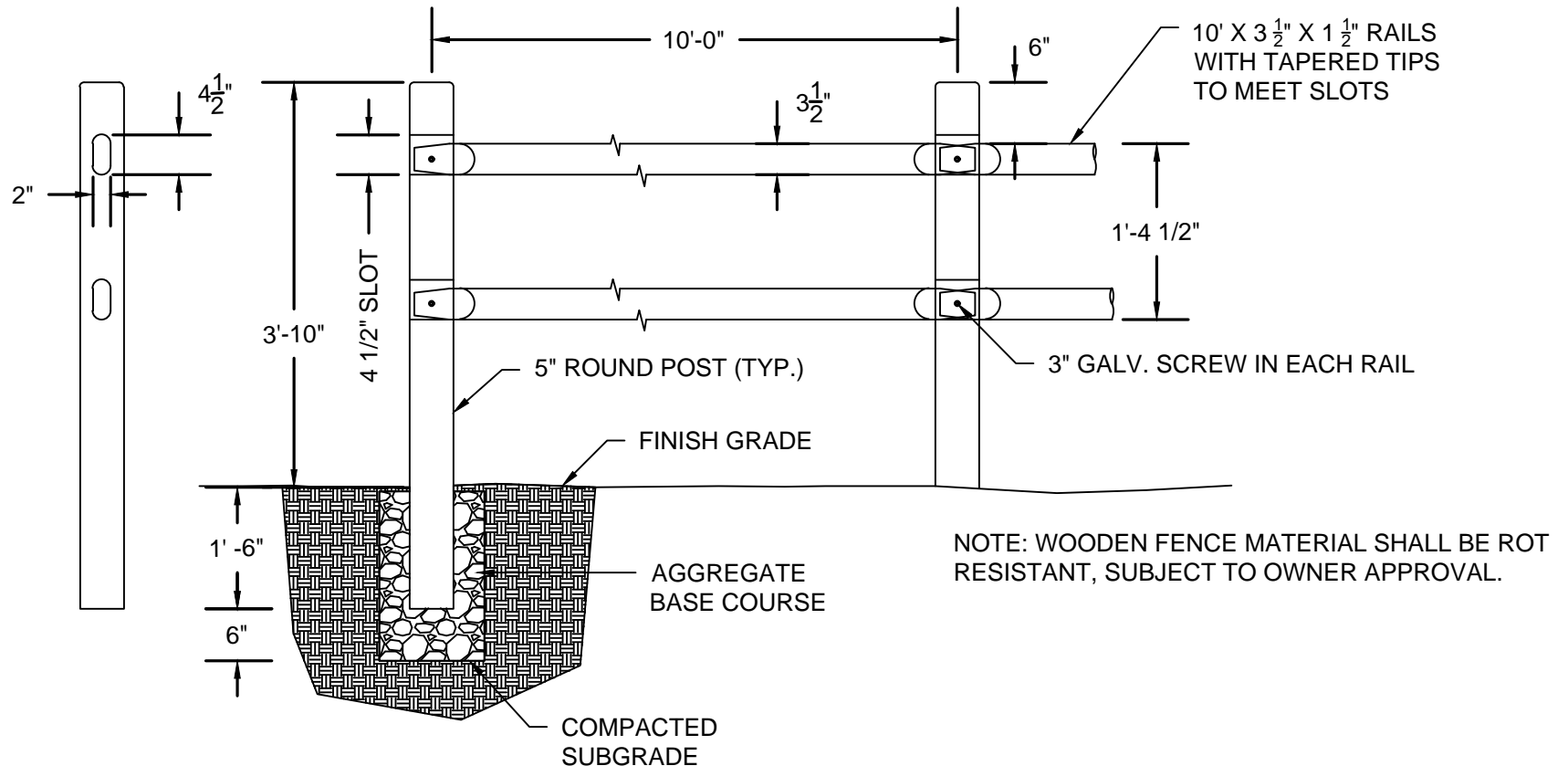
All else remains unchanged.

Please acknowledge this addendum within your proposal. Failure to do so may subject a proposer to disqualification.

End of Addendum #2

Continue below for attachments.

ITEM NO.	EST. QTY.	ITEM DESCRIPTION WITH BID PRICE IN WORDS	UNIT PRICE IN FIGURES	ITEM TOTAL IN FIGURES
604.4	1	RECONSTRUCTING/ADJUSTING CATCH BASIN & DROP INLET at: Dollars and Cents per linear foot		
604.5	1	RECONSTRUCTING/ADJUSTING MANHOLES at: Dollars and Cents per linear foot		
604.51	4	RECONSTRUCTING/ADJUSTING SEWER MANHOLES at: Dollars and Cents per linear foot		
604.62	8	DRAINAGE MANHOLE COVERS AND FRAMES at: Dollars and Cents per each		
607.5106	190	WOOD STOCKADE FENCE, 6' HIGH at: Dollars and Cents per linear foot		
607.5346	100	WOOD RAILING FENCE, 3' 10" HIGH at: Dollars and Cents per linear foot		
607.92	225	RESET CHAIN LINK FENCE WITH ALUMINUM COATED STEEL FABRIC at: Dollars and Cents per linear foot		
607.9804	100	RESETTING SPLIT RAIL WOOD FENCE at: Dollars and Cents per linear foot		



① WOOD RAILING FENCE
NOT TO SCALE

Intersection Improvement Project U.S. Route 1 at Andrew Jarvis Drive

Portsmouth, NH

Pre-Bid Meeting, Bid No: 35-18

February 7, 2018

	Last Name	First Name	Company/Organization	Address	E-Mail Address	Business Phone
1.	Toothaker	Stephen	Mobiliso	16 Industrial	step@mobilsouth.com	807-252-3042
2.	Jennings	Matthew	John H. Lyman	310 Hoyt Rd. Gifford Deerfield VT	Sue@lymanandsons.com	603-524-4314
3.	Pelletier	Hlon	ECS	69 North Rd	apelletier@ eastrostsignal.com	603-463-5452
4.	THIBAUT	MAT	SARGENT CORP	378 BARNARD RD. STRACWATER, ME	Pdubay@Sargent-corp. com	207-288-8227-4432
5.	Bonneau	Scott	S.U.R. Construction Inc	235 Chestnut Hill Rd, Rochester NH	sbonneau@surconstruction. com	603-332-4554
6.	Melican	Vian	Sanco	84 E. Yeter Rd South Hampton NH	dano@sancoexcavators.com	603-334-7664
7.	HAYDEN	PETER	BURASSA CONSTR.	85 HERITAGE PORTSMOUTH	peter@bourassanph.com	978-576-5019
8.						
9.						