



June 14, 2019

Vincent Lombardi, Chairman
Historic District Commission
City of Portsmouth
1 Junkins Avenue
Portsmouth, New Hampshire 03801

Project: 404 Middle Street

Dear Mr. Lombardi:

We are requesting a work session at the July 3rd Historic Commission meeting to review our request for 5 replacement windows on the third floor where all new construction is being done. We will also be requesting approval of the placement of two AC condensers.

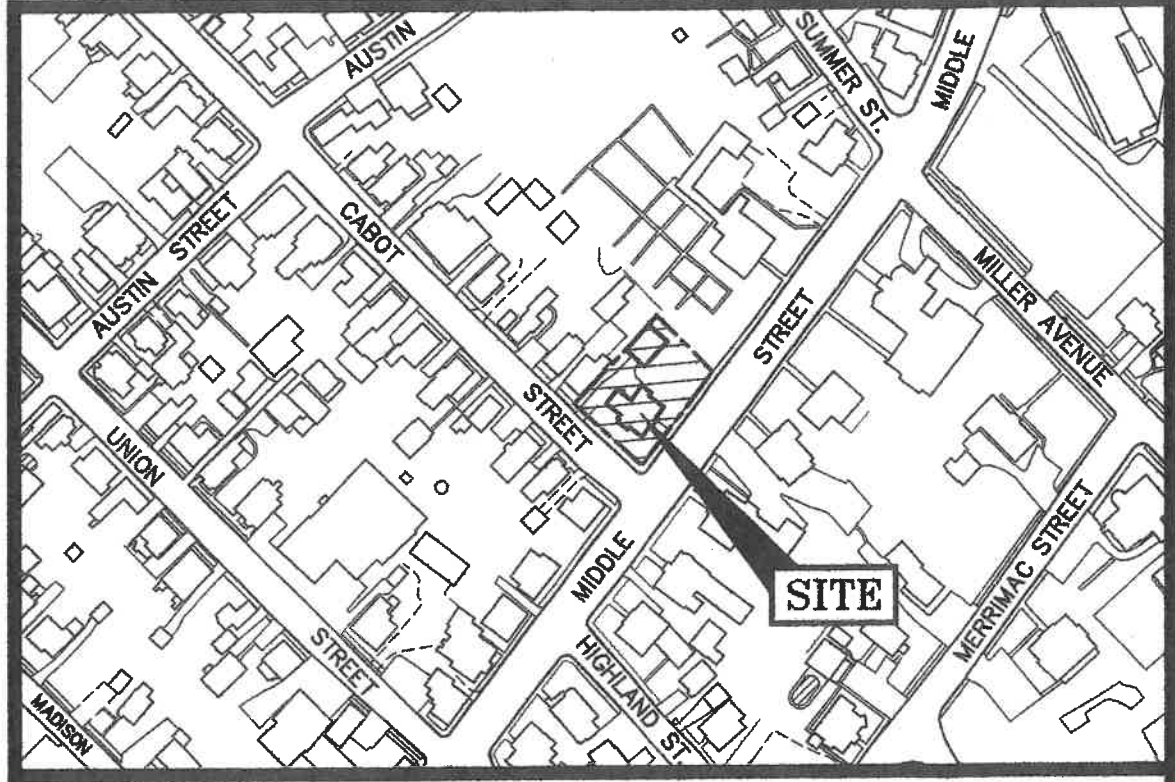
We are respectfully submitting the attached Land Use Application materials for your review in advance of the July 3 work session.

We look forward to meeting with you again. And we thank you in advance for the respectful process and hard work that was extended to us on our carriage house project in 2016.

Thank you for your consideration of this project.

Respectfully submitted,

Deborah and Mark Chag



LOCATION MAP

1" = 200'

LEGEND:

- N/F NOW OR FORMERLY
- RP RECORD OF PROBATE
- RCRD ROCKINGHAM COUNTY
- RR SPK RAILROAD SPIKE
- | |
|----|
| 11 |
| 21 |

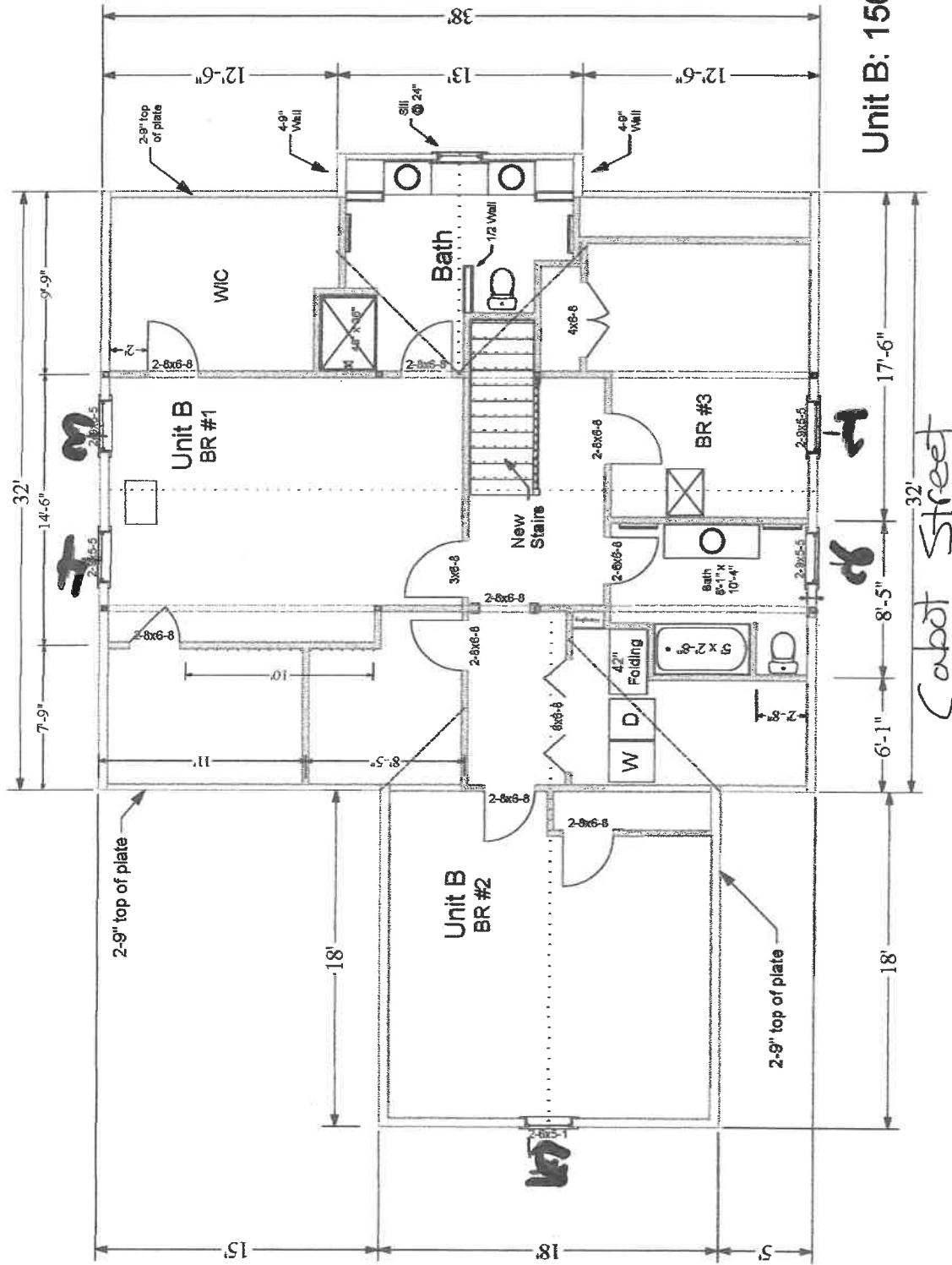
 MAP 11/LOT 21
- IR FND IRON ROD FOUND
- IP FND IRON PIPE FOUND
- IR TBS IRON ROD TO BE SET
- OVERHEAD WIRE
- |||— EDGE OF PAVEMENT

PLAN REFERENCES:

1) SUBDIVISION OF LAND, 31-33 CABOT STREET,



Windows 1, 2, 3, 4, 5



Middle Street

Unit B: 1566 s.f.

Cabot Street

Michelle Shields Design Smart Creative Architecture www.MichelleShieldsDesign.com	PROJECT: Deb and Mark Chag Residence	SITE: 404 Middle Street Portsmouth, NH	ISSUED FOR: Review	SCALE: 1/8" = 1'-0" (Letter)	TITLE: Proposed Third Floor	SHEET: P3
			DATE: June 6, 2019			

Window 1/2

Guest bath vent fix



Cobot Street

3rd floor master bath's

Kitchen vent side

3
4
Windows

Middle Street



2 Hot water heater vents

2 Furnace vents

Yard side

2nd floor
Dry vent window (5)



Back driveway
off Cabot

3rd floor
Dryer vent



Quotation

Customer:

Ship to:

Order Date: Not ordered

Last Revision: 6/3/2019

Creation Date: 5/20/2019

C.S.: Kate Clement

P.O. no:

Date requested: 1/1/0001

Quotation no: 317065

Job: Greenier - Chag

Phone:

Fax:

Item	Description	Qty	Unit Price	Total Price
100-1	R.O.: 34 1/2" W X 65 1/2" H Ext. Cas.: 33 1/2" W X 65 13/16" H	4	\$917.93	\$3,671.73

PK : 472
33 1/2" L X 65" H



Window
1, 2, 3, 4

Viewed from the outside

- PRODUCT = COMPLET UNIT, Special WH100-11 - Wood Hung, Transom or Picture H-100 Series - 33 1/2" W X 65" H - Double - Sash Split : Even
- FRAME = Frame 4 9/16" natural, Wood Pine : , Ext.: First coat, Int.: First coat
- SASH = Other option for sash interior : Glass stop std (colonial), Wood Pine, Ext.: Ext. alum. standard Color 430 Rainware white , Int.: First coat
- GLASS = Insulated (double), Low-e 272/argon (South region), Spacer: Technoform, Color spacer: Bronze
- GRILLES = SDL 5/8" Ext: Standard (extruded) Int: Standard Position: Top & bottom, same color as sash, With spacer: Bronze spacer, Grille pattern: Colonial
- SCREEN = Full Screen, Standard Color 430 Rainware white, Screen cross bar, Screen Mesh Type: Invisible (std)
- HARDWARE = Fusion hardware (std), Without handle, White locks, Locks Qty: 1
- OTHER OPTIONS = Nat. reg. sill ext w/o horns (GB-021) std, Wood species for sill extension : Pine

200-1

PK : 472

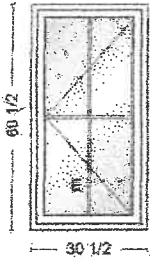
R.O.: 31 1/2" W X 61" H Ext. Cas.: 30 1/2" W X 60 11/16" H

1

\$1,242.56

\$1,242.56

30 1/2" L X 60 1/2" H



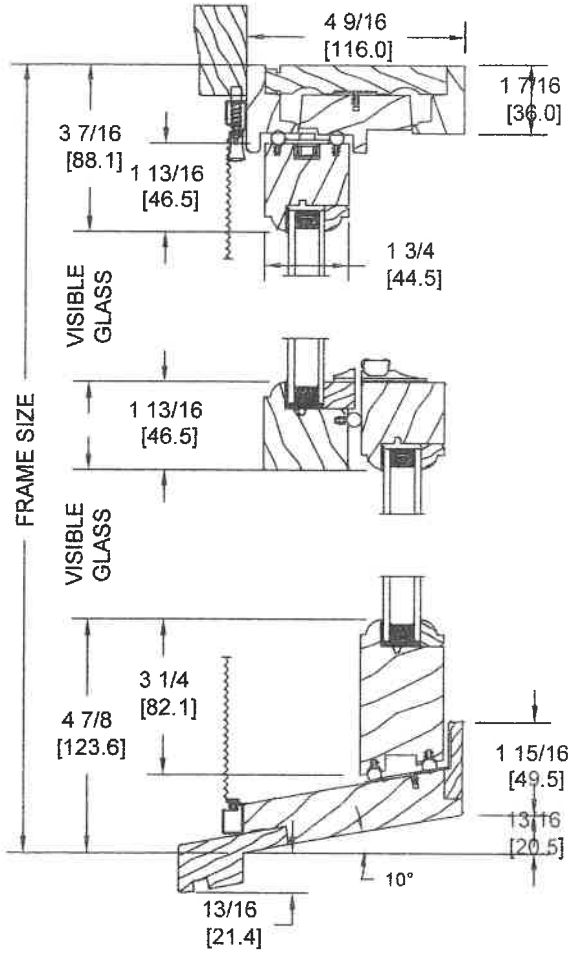
Window
5

Viewed from the outside

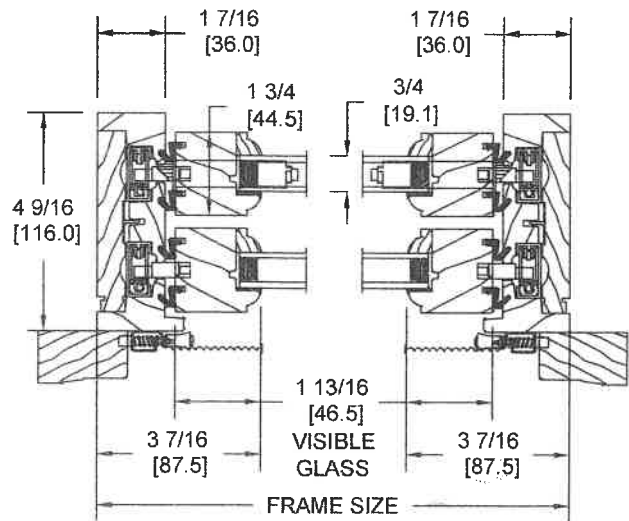
- PRODUCT = COMPLET UNIT, Special WFC11 - Wood Inswing French Casement - 30 1/2" W X 60 1/2" H - Left,
- FRAME = Frame 5 3/8" natural, Wood Pine : , Ext.: First coat, Int.: First coat
- SASH = Other option for sash interior : Glass stop std (colonial), Wood Pine, Sash model : Standard sash, Ext.: Ext. alum. standard Color 430 Rainware white , Int.: First coat
- GLASS = Insulated (double), Low-e 272/argon (South region), Spacer: Technoform, Color spacer: Bronze
- GRILLES = SDL 5/8" Ext: Standard (extruded) Int: Standard, same color as sash, With spacer: Bronze spacer, Grille pattern: Colonial
- SCREEN = Screen, Standard Color 430 Rainware white, Screen Mesh Type: Invisible (std)
- HARDWARE = Classic hardware, Oil Rubbed Bronze
- OTHER OPTIONS = Nat. sill ext w/o horns (BB-019) std, Wood species for sill extension : Pine Exterior 1" natural flush

All manual prices to be verified approved and confirmed by customer service department.

WOOD 1 3/4" SASH DOUBLE HUNG WINDOW WITH
908 BRICKMOULD CASING AND STANDARD SILL NOSING



VERTICAL SECTION



HORIZONTAL SECTION



Andersen Windows - Abbreviated Quote Report
Project Name: GREENIER CHAG

Quote #: 1961 Print Date: 06/05/2019 Quote Date: 06/05/2019 iQ Version: 19.0

Dealer: **Stephen Quist (quist@eldredgelumber.com)**

Customer: **Greenier Builders Inc**
 Billing: 39 Mill Pond Rd
 Address: Kittery, ME 03904-1113 USA
 Phone: (603) 396-8114 Fax:
 Contact:
 Trade ID: 720523 Promotion Code:

Item	Qty	Item Size (Operation)	Location	Unit Price	Ext. Price
0001	4	ADH 2' 9 3/4" x 5' 4 3/4" (AA)		\$ 714.84	\$ 2859.36
RO Size = 2' 10 1/2" W x 5' 5 1/2" H Unit Size = 2' 9 3/4" W x 5' 4 3/4" H					
A Series Unit, 4 9/16" Frame Depth, White/Pine, White - Factory Painted, High Performance Low-E4 (Each Sash), Divided Light with Spacer, Specified Equal Lite, 2W1H, 3/4", Ext Grille - White, Int Species - Pine, Int Grille Color - White - Factory Painted (Each Sash), Traditional, White, 1 Sash Locks, w/ Standard Flange Equal Sash, Insect Screen, White Zone: Northern U-Factor: 0.30, SHGC: 0.27, ENERGY STAR® Certified: No					



Viewed from Exterior

Window
1.2, 3.4

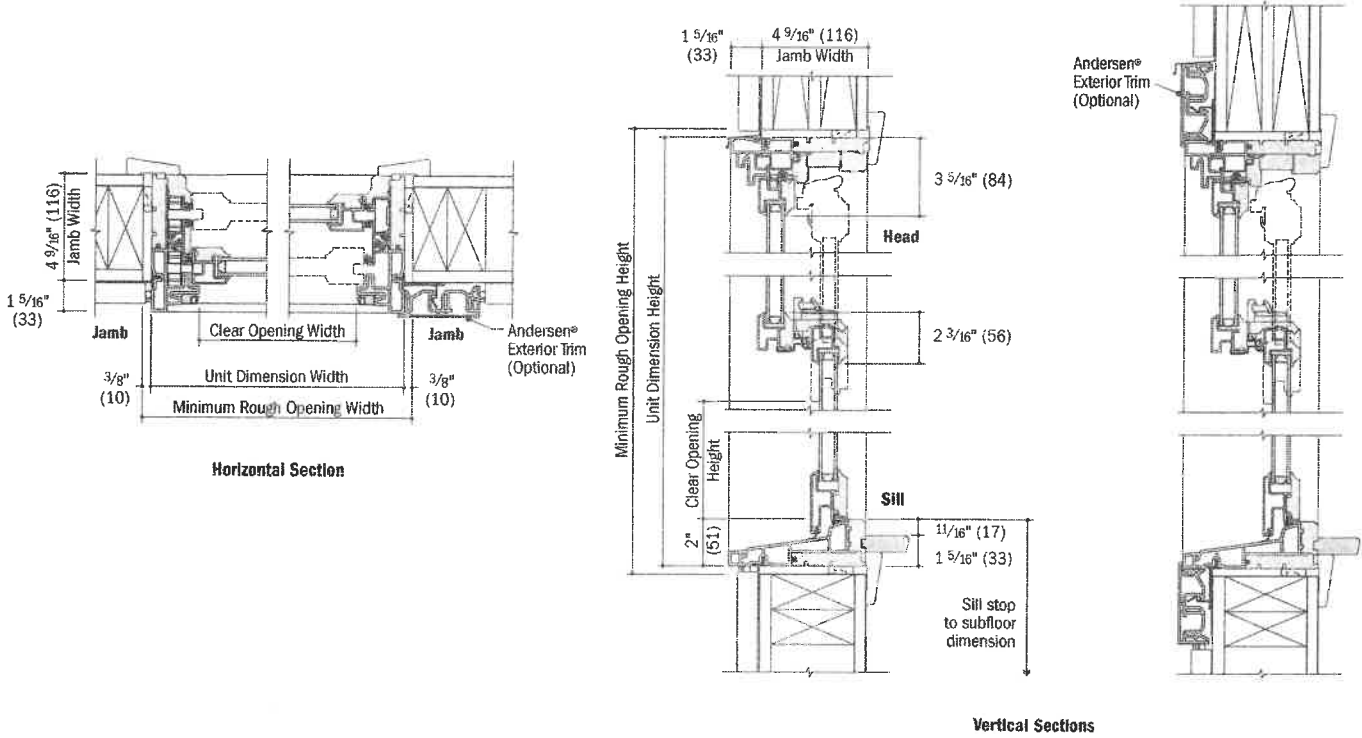
0002	1	ACW 2' 6 1/2" x 5' 0 1/2" (L)		\$ 758.47	\$ 758.47
RO Size = 2' 7 1/4" W x 5' 1 1/4" H Unit Size = 2' 6 1/2" W x 5' 0 1/2" H					
A Series Unit, 4 9/16" Frame Depth, White/Pine, White - Factory Painted, L Hanging, High Performance Low-E4, Divided Light with Spacer, Specified Equal Lite, 2W2H, 3/4", Ext Grille - White, Int Species - Pine, Int Grille Color - White - Factory Painted, Horizontal Grille Alignment, Casement, w/ Standard Flange Insect Screen - Aluminum, White ACW, Traditional Folding, Oil Rubbed Bronze Zone: Northern U-Factor: 0.28, SHGC: 0.24, ENERGY STAR® Certified: No					



Viewed from Exterior

Window
5

Double-Hung Window Details



- $4 \frac{9}{16}''$ jamb width measurement is from backside of installation flange.
- Light-colored areas are parts included with window. Dark-colored areas are additional Andersen® parts required to complete window assembly as shown.
- Dimensions in parentheses are in millimeters.
- **Rough openings may need to be increased to allow for use of building wraps, flashing, sill panning, brackets, fasteners or other items.**
- Details are for illustration only and are not intended to represent product installation methods or materials. Refer to product installation guides at andersenwindows.com.

Unit Dimensions

MODEL NO.	OPERATING						SHIPPING					
	H (Height)		L (Length)		W (Width)		H (Height)		L (Length)		W (Width)	
	INCHES	mm	INCHES	mm	INCHES	mm	INCHES	mm	INCHES	mm	INCHES	mm
RA1318	27	685	29.75	755	29.75	755	28.75	730	32.38	822	32.38	822
RA1324	25	635	29.75	755	29.75	755	26.75	679	32.38	822	32.38	822
RA1330	25	635	29.75	755	29.75	755	26.75	679	32.38	822	32.38	822
RA1336	27	685	29.75	755	29.75	755	28.75	730	32.38	822	32.38	822
RA1342	31	787	29.75	755	29.75	755	32.75	831	32.38	822	32.38	822
RA1348	27	685	33.75	857	33.75	857	28.75	730	36.38	924	36.38	924
RA1360	31	787	35.75	908	35.75	908	32.75	831	38.38	974	38.38	974



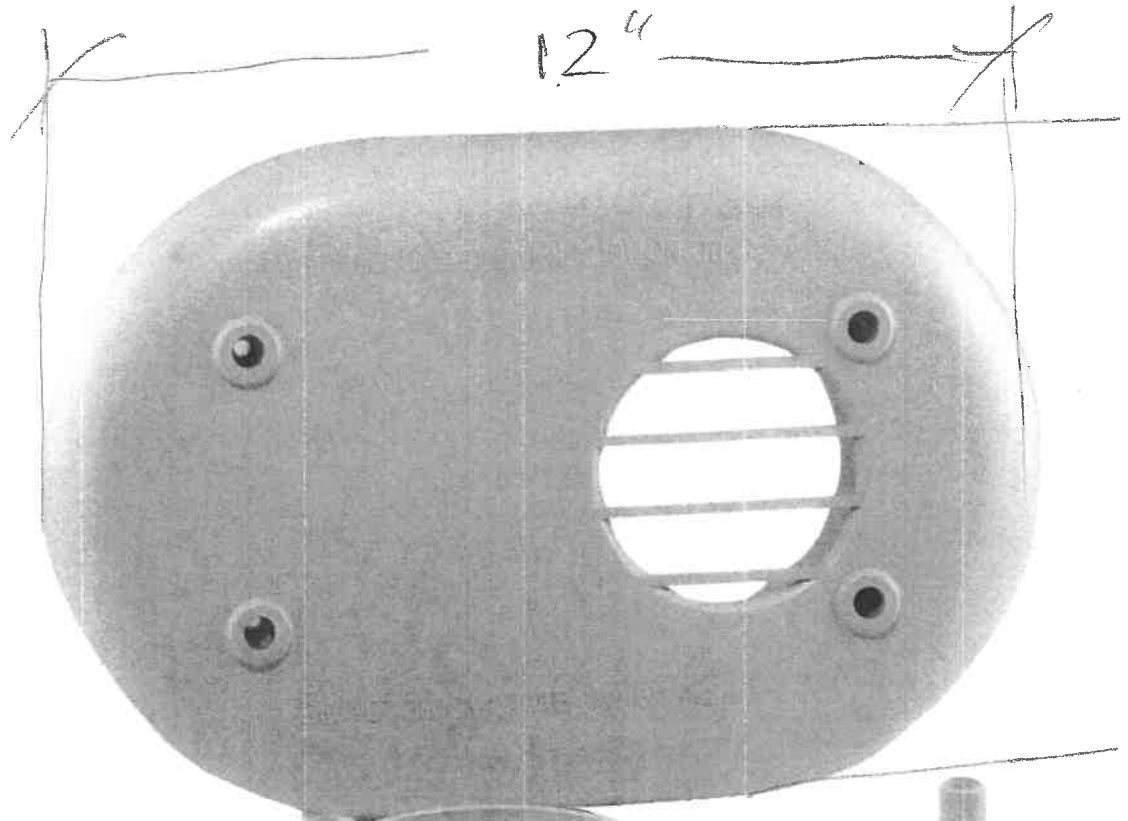
Efficiencies 13-15.5 SEER/11.5-13 EER
Nominal Sizes 1 1/2 to 5 Ton [5.28 to 17.6 kW]
Cooling Capacities 17.3 to 60.5 kBTU
[5.7 to 17.7 kW]



Proper sizing and installation of equipment is critical to achieve optimal performance. Split system air conditioners and heat pumps must be matched with appropriate coil components to meet Energy Star. Ask your Contractor for details or visit www.energystar.gov.

6/13/2019

Diversitech 3 in. PVC Horizontal Vent Kit for High Efficiency Fossil Fuel Appliances-HVent-3 - The Home Dep



Middle Street

Yard side

HVAC Condensers

2' 29" x W 29" x H 26"

