

July 17, 2019

Vincent Lombardi, Chairman
Historic District Commission
City of Portsmouth
1 Junkins Avenue
Portsmouth, New Hampshire 03801

Project: 404 Middle Street

Dear Mr. Lombardi:

We are requesting a Public Hearing at the August 7th Historic Commission meeting for the exterior renovations at 404 Middle Street.

We are respectfully submitting the attached Land Use Application materials for your review in advance of the August 7th Historic Commission meeting.

Thank you for the discussion and feedback at the July 10th work session. We will be presenting for your approval the Anderson A series window specifications for the 5 replacement windows on the third floor. The placement of two AC condensers in side yard out of public view. And as asked for we are providing you with vent choices, cuts and placement.

We look forward to meeting with you again. Thank you for your consideration of this project.

Respectfully submitted,

Deborah and Mark Chag





Andersen Windows - Abbreviated Quote Report

Project Name: GREENIER CHAG

Quote Date: 06/05/2019

iQ Version: 19.0



Dealer:

Customer: Greenier Builders Inc

Billing Address: 39 Mill Pond Rd

Address: Kittery, ME 03904-1113 USA

Phone: (603) 396-8114

Fax:

Sales Rep: Stephen Quist (squist@eldredgelumber.com)

Created By:

Contact: Trade ID: 720523

Promotion Code:

Quote #: 1961

Print Date: 07/10/2019

Item Qty Item Size (Operation)

Location

Unit Price Ext. Price

0001 4 ADH 2' 9 3/4" x 5' 4 3/4" (AA)

\$ 756.06 \$ 3024.24

RO Size = 2' 10 1/2" W x 5' 5 1/2" H Unit Size = 2' 9 3/4" W x 5' 4 3/4" H

A Series

Unit, 4 9/16" Frame Depth, White/Pine, White - Factory Painted, Black Sash, High Performance Low-E4 (Each Sash), Divided Light with Spacer, Specified Equal Lite, 2W1H, 3/4", Ext Grille - Black, Int Species - Pine, Int Grille Color - White - Factory Painted(Each Sash), Traditional, White, 1 Sash Locks, w/ Standard Flange

Viewed from Exterior

Equal Sash, Insect Screen, White

Zone: Northern

U-Factor: 0.30, SHGC: 0.27, ENERGY STAR® Certified: No

0002 1 ACW 2' 6 1/2" x 5' 0 1/2" (L)

\$ 799.69 \$ 799.69

RO Size = 2' 7 1/4" W x 5' 1 1/4" H Unit Size = 2' 6 1/2" W x 5' 0 1/2" H

A Series

Unit, 4 9/16" Frame Depth, White/Pine, White - Factory Painted, Black Sash, L Handing, High Performance Low-E4, Divided Light with Spacer, Specified Equal Lite, 2W2H, 3/4", Ext Grille - Black, Int Species - Pine, Int Grille Color - White - Factory Painted, Horizontal Grille Alignment, Casement, w/ Standard Flange

Viewed from Exterior

Insect Screen - Aluminum, White

ACW, Traditional Folding, Oil Rubbed Bronze

Zone: Northern

U-Factor: 0.28, SHGC: 0.24, ENERGY STAR® Certified: No

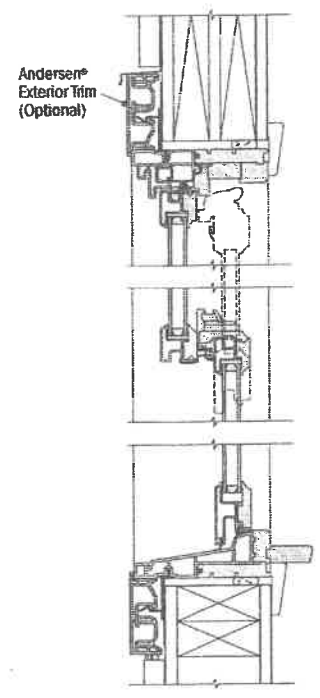
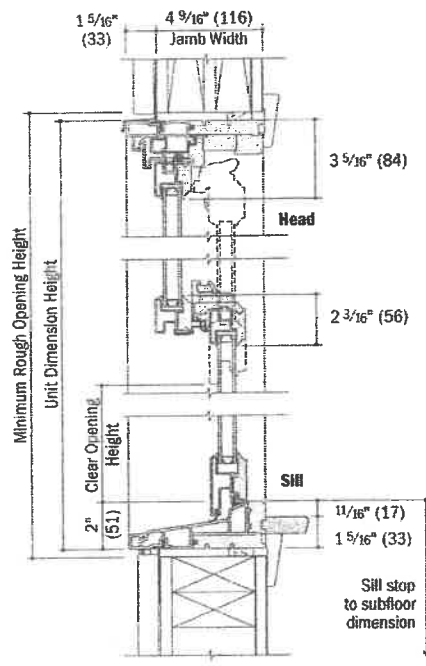
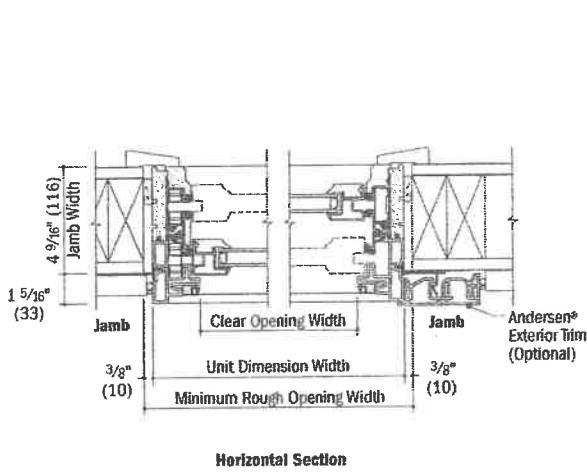
Quote #: 1961

Print Date: 07/10/2019

Page 1 Of 3

iQ Version: 19.0

Double-Hung Window Details

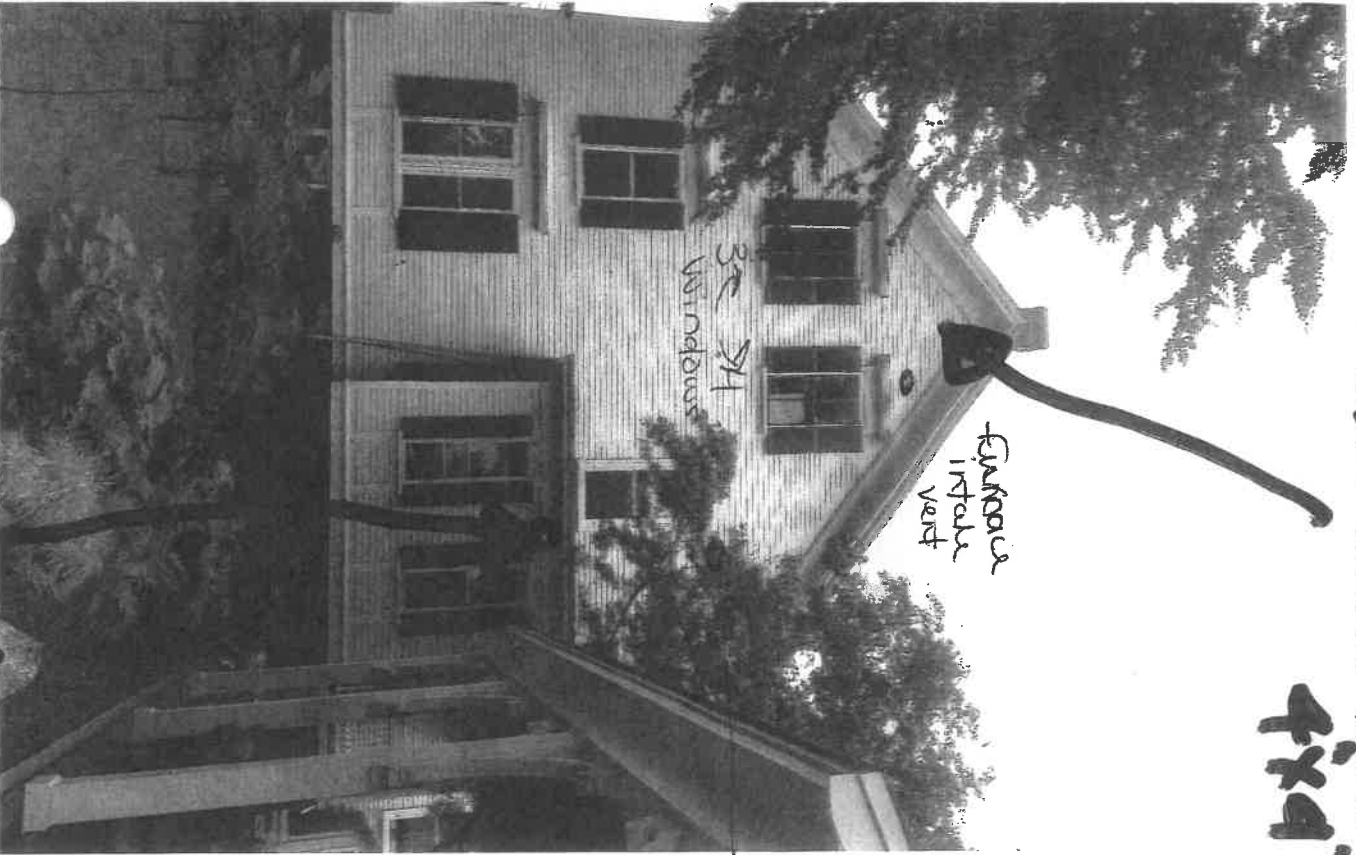


Vertical Sections

- 4 9/16" jamb width measurement is from backside of installation flange.
- Light-colored areas are parts included with window. Dark-colored areas are additional Andersen® parts required to complete window assembly as shown.
- Dimensions in parentheses are in millimeters.
- **Rough openings may need to be increased to allow for use of building wraps, flashing, sill panning, brackets, fasteners or other items.**
- Details are for illustration only and are not intended to represent product installation methods or materials. Refer to product installation guides at andersenwindows.com.

Middle St side

Master bath vent 4x4



AC

Master bath vent

3 windows

Finish intake vent

cooltop vent

Calcut Street side

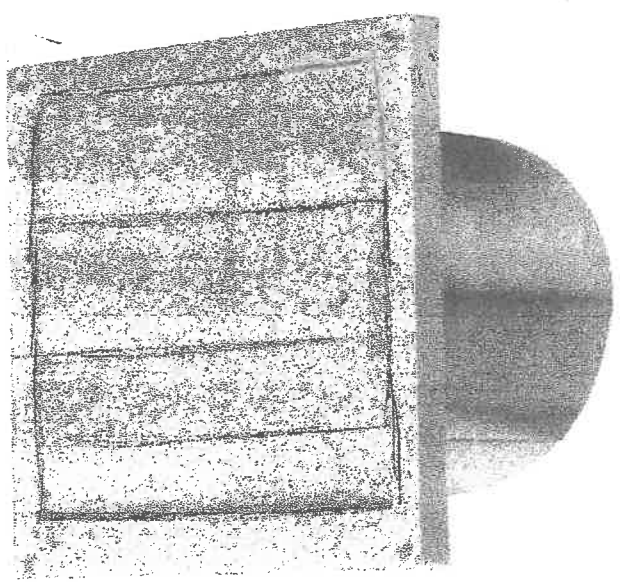
Guest bath vent 4x4



1, 2 windows

1
2

Both rooms
vents
Sidergard x 2
Cabotsida - 1



Share Save to Favorites Print

Braan

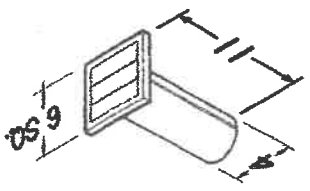
Plastic Louvered Wall Cap for 6 in. Round Duct in White

★★★★★ (9) Write a Review

- Robust plastic louvered wall cap for 6 in. round duct (10)
- Classic white design makes a great fit for many applications
- Easy to install and/or replace existing product for DIYers

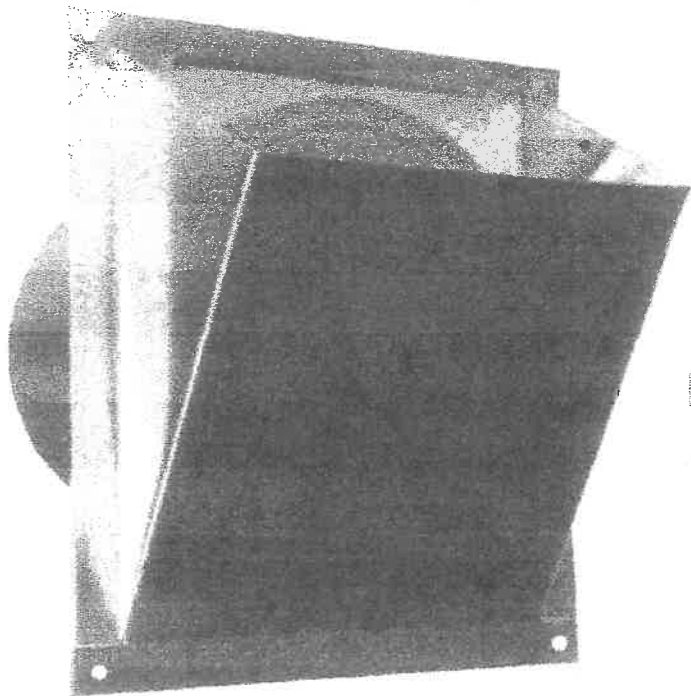
Model 450 Flexible Wall Ducting Kit

- Includes 5 ft. of 4" flexible, vinyl ducting, 4" diameter metal duct connector, 2 duct clamps, 4" to 3" reducer and a polymeric louvered wall vent



Live Chat

Internet #100396977 Model # WVA6 Store SKU #926728 Store SO SKU #1000683699



Handwritten text: Cooktop Vent yard side

Share Save to Favorites Print

6 in. Round Wall Vent

Write a Review (68)

Dimensions

Product Depth (in.)

10

Product Height (in.)

9.5

Product Width (in.)

10

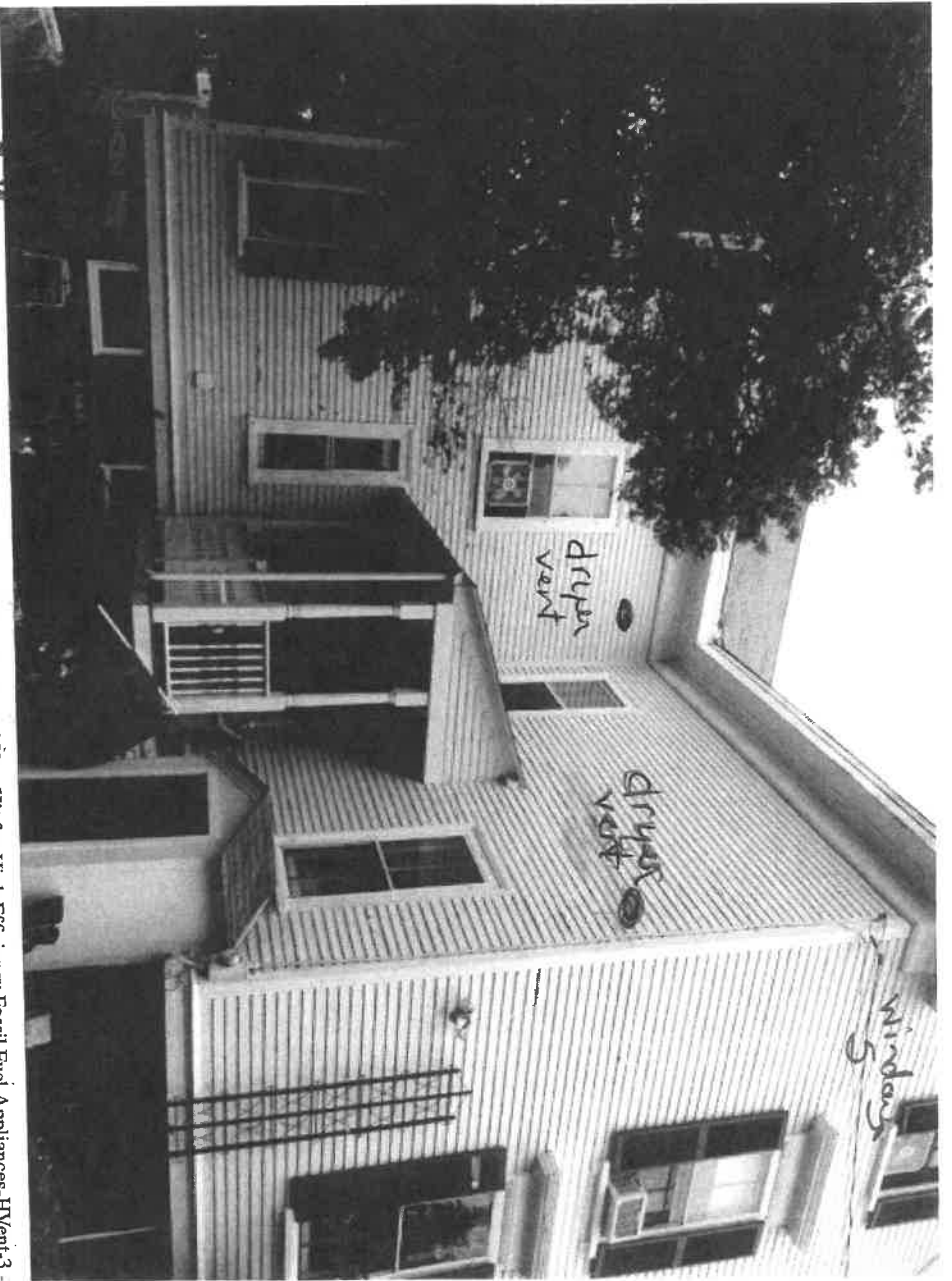
Details

Material

Aluminum

Product Weight (lb.)

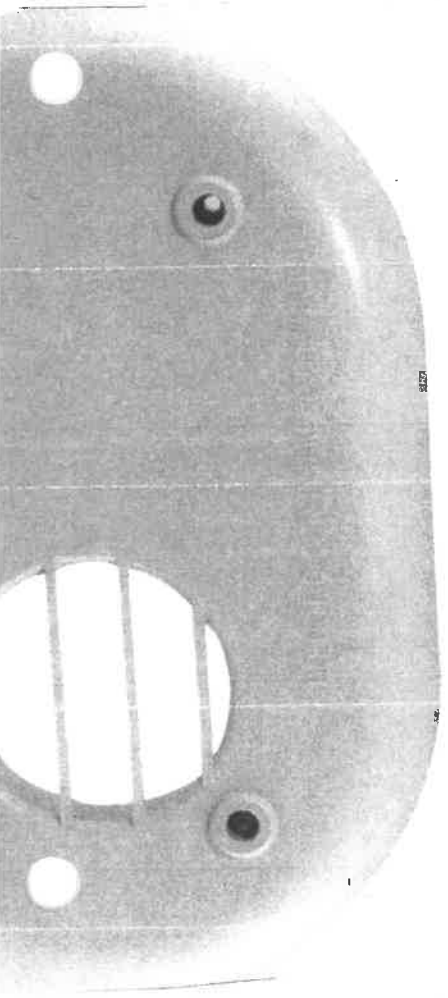
Specifications



6/13/2019

Diversitech 3 in. PVC Horizontal Vent Kit for High Efficiency Fossil Fuel Appliances: HVent-3 - The Home Depot

furnace
vent
There will be 2
actual says →



| Hood Dia. (cm) | Hood Dia. (in) | Weight (kg) | Weight (lb) |
|----------------|----------------|-------------|-------------|
| 200 | 4" | 0.13 | 0.28 |
| 175 | 4" | 0.125 | 0.275 |
| 150 | 4" | 0.075 | 0.165 |
| 125 | 4" | 0.045 | 0.099 |
| 100 | 4" | 0.035 | 0.077 |
| 75 | 4" | 0.021 | 0.046 |
| 50 | 4" | 0.017 | 0.037 |

PERFORMANC

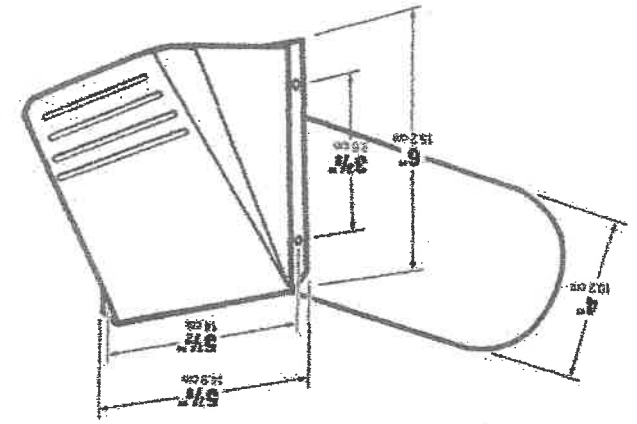
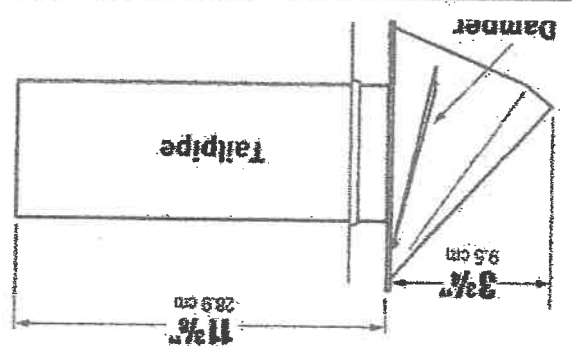
For galvanized vent hood

Hood

- Galvanized 30 ga.

Pipe

- Galvanized gravity dam
- Galvanized 30 ga.



| Hood Dia. (cm) | Hood Dia. (in) | Weight (kg) | Weight (lb) |
|----------------|----------------|-------------|-------------|
| 200 | 4" | 0.13 | 0.28 |
| 175 | 4" | 0.125 | 0.275 |
| 150 | 4" | 0.075 | 0.165 |
| 125 | 4" | 0.045 | 0.099 |
| 100 | 4" | 0.035 | 0.077 |
| 75 | 4" | 0.021 | 0.046 |
| 50 | 4" | 0.017 | 0.037 |

GENERAL INFORMATION

Model No. 0117

4" hood & pipe

PERFORMANCE DATA

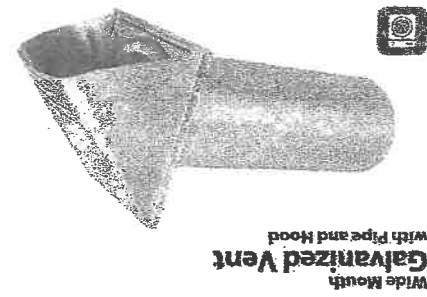
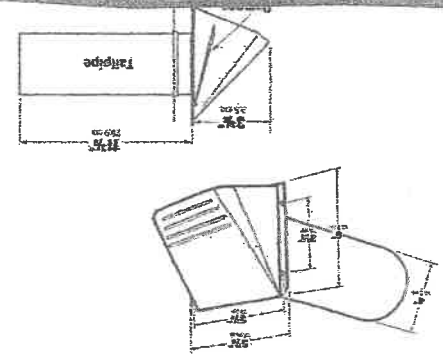
For galvanized vent hood & pipe

Hood

- Galvanized 30 ga.

Pipe

- Galvanized gravity damper
- Galvanized 30 ga.



dryer Vent