


Property Information

Property ID	0103-0059-0000
Location	11 MEETING HOUSE HILL RD
Owner	KARABELAS ARGERIS


**MAP FOR REFERENCE ONLY
NOT A LEGAL DOCUMENT**

City of Portsmouth, NH makes no claims and no warranties, expressed or implied, concerning the validity or accuracy of the GIS data presented on this map.

Geometry updated 4/1/2019
Data updated 7/17/2019



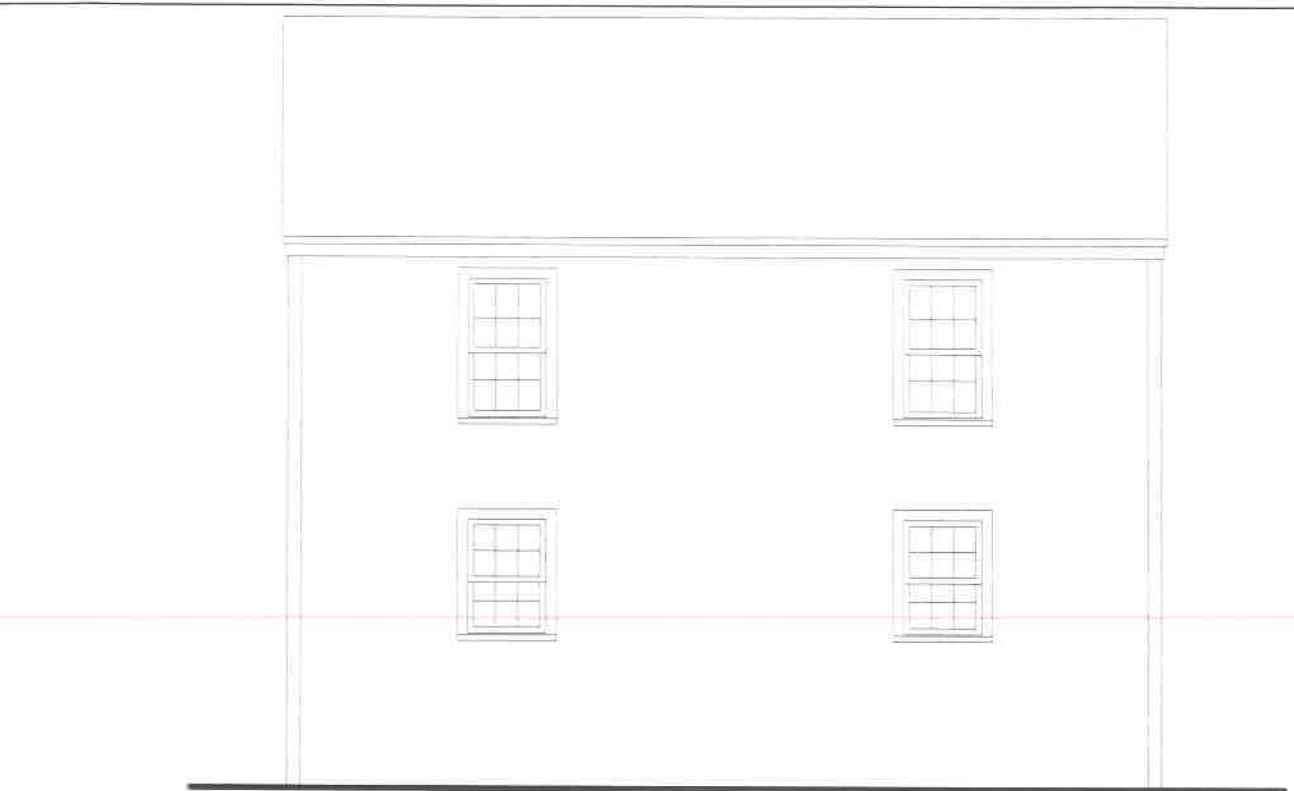
Existing Photo



11 Meeting House Hill, Portsmouth, NH

SOMMA Studios / 603.766.3760

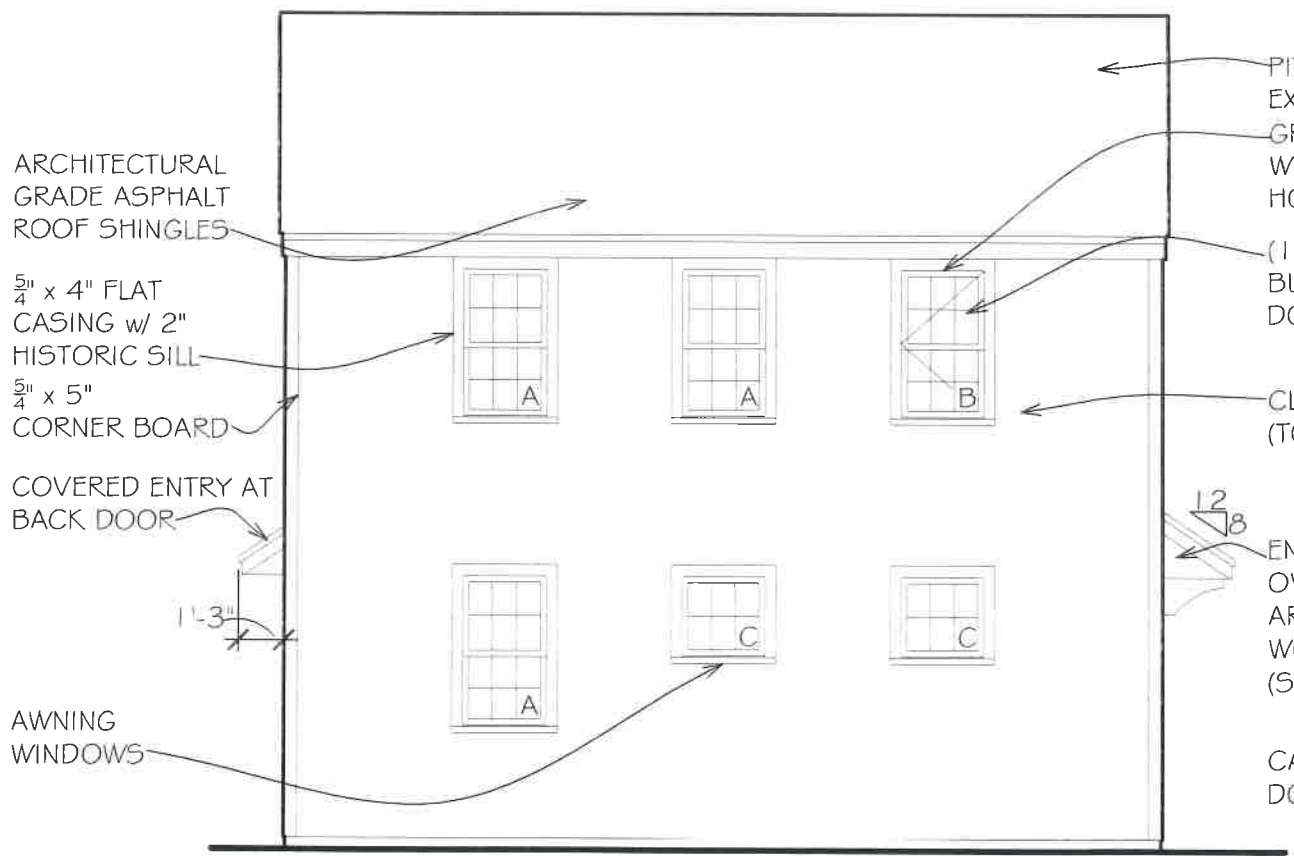
HDC/PH 3.2020



EXISTING MANNING ST. ELEVATION



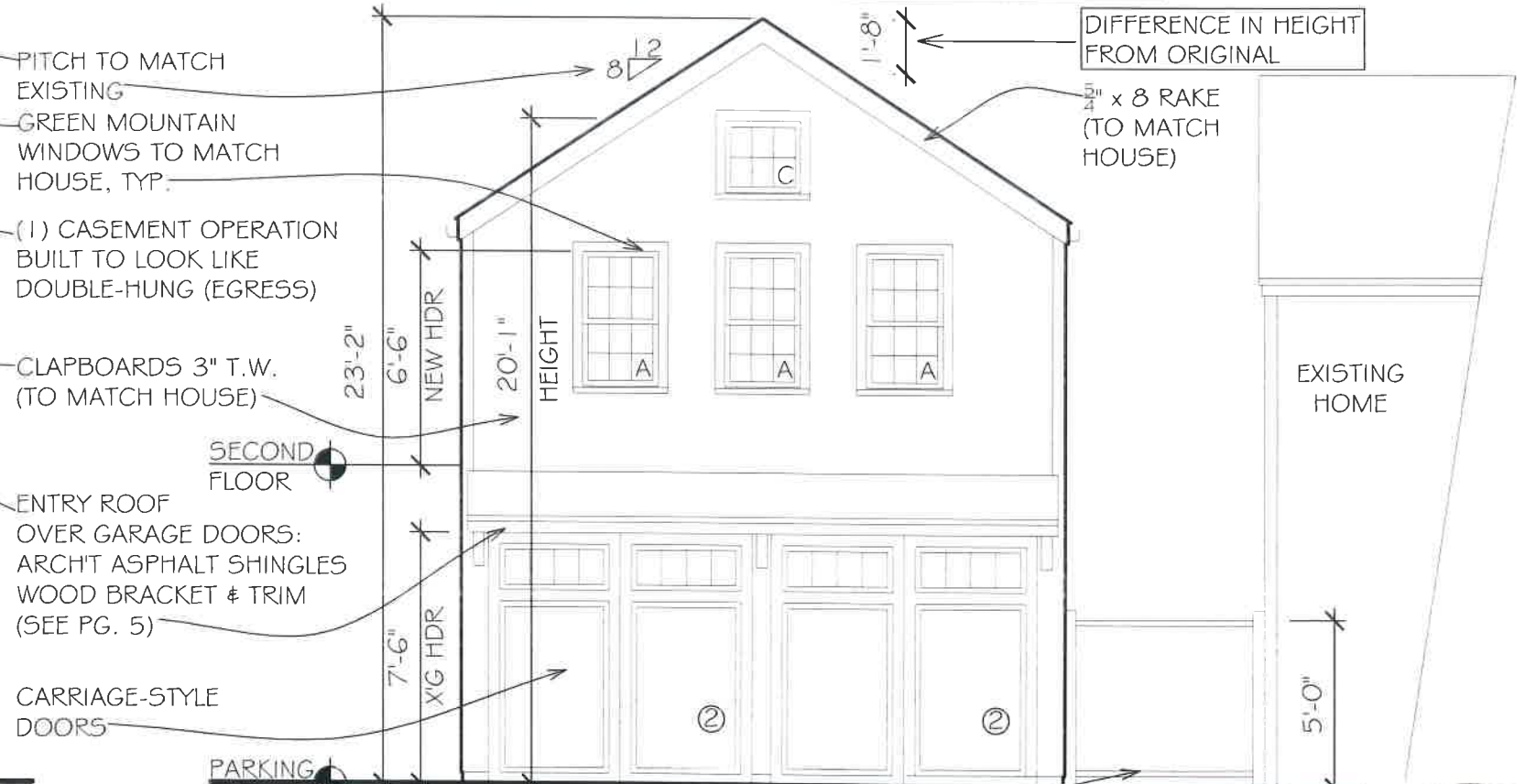
EXISTING MEETING HOUSE HILL ELEVATION



PROPOSED MANNING ST. ELEVATION

11 Meeting House Hill, Portsmouth, New Hampshire

SOMMA Studios 603/766.3760



PROPOSED MEETING HOUSE HILL ELEVATION

EXISTING/ PROPOSEDELEVATIONS

SCALE: 3/16"

HDC/PH

3.2020

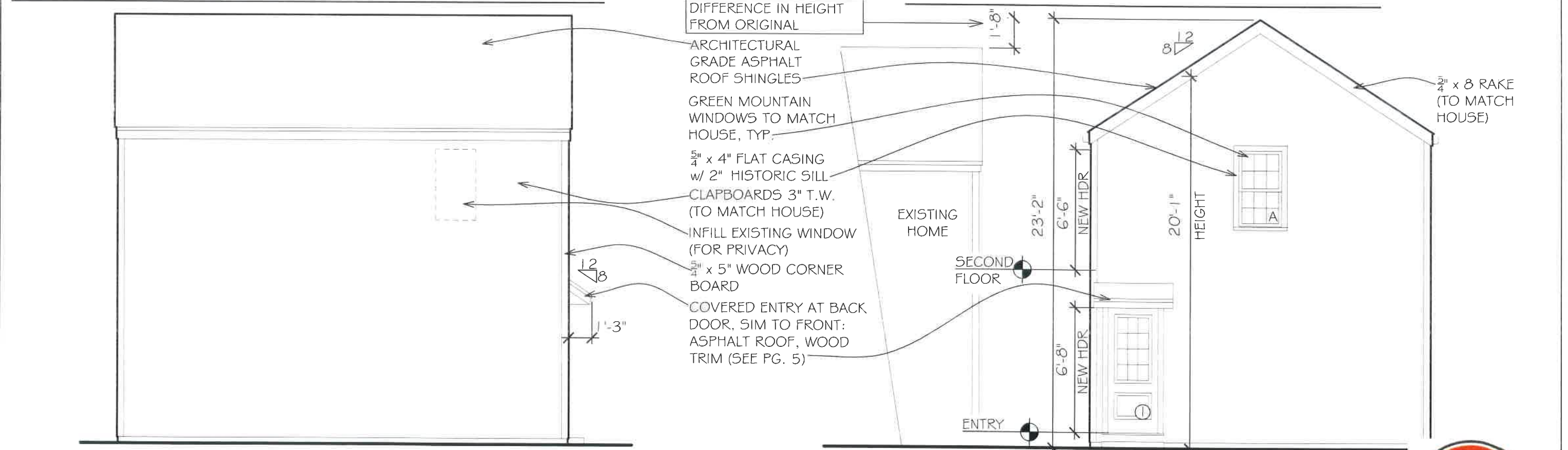
SH. 3





EXISTING HOUSE FACING ELEVATION

EXISTING BACK ELEVATION



PROPOSED HOUSE FACING ELEVATION

PROPOSED BACK ELEVATION ELEVATION

11 Meeting House Hill, Portsmouth, New Hampshire

EXISTING/ PROPOSED ELEVATIONS

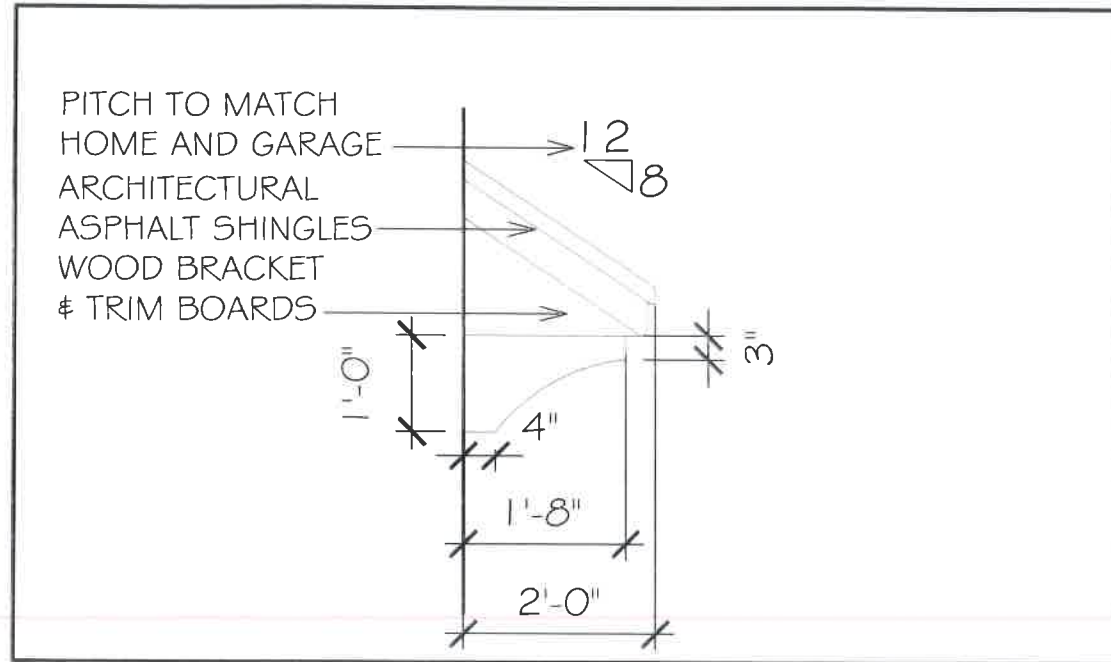
SCALE: $\frac{3}{16}$ "

SOMMA Studios 603/766.3760

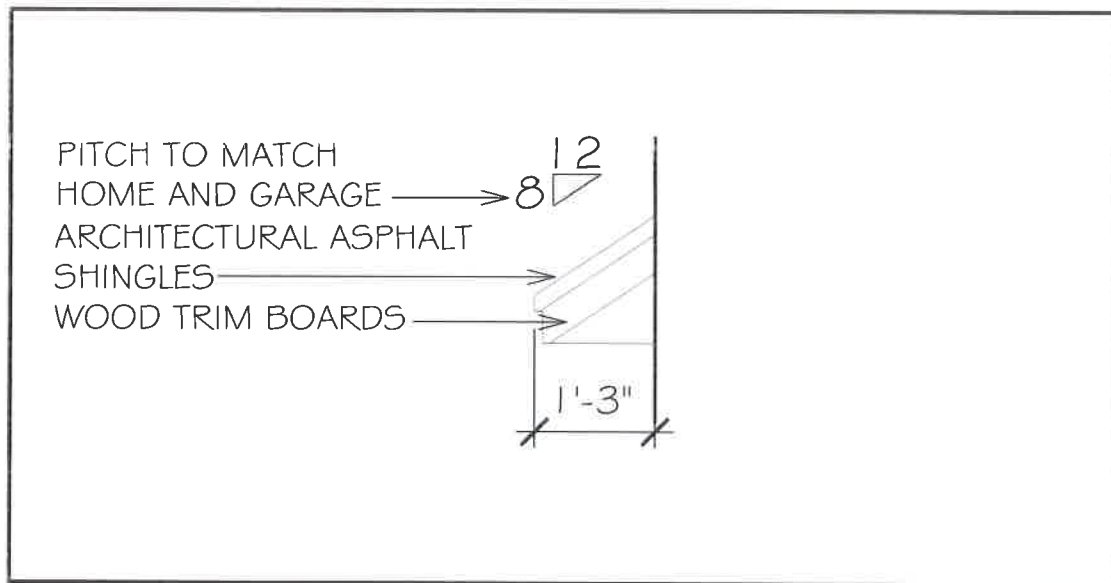
HDC/PH 3.2020

SH. 4

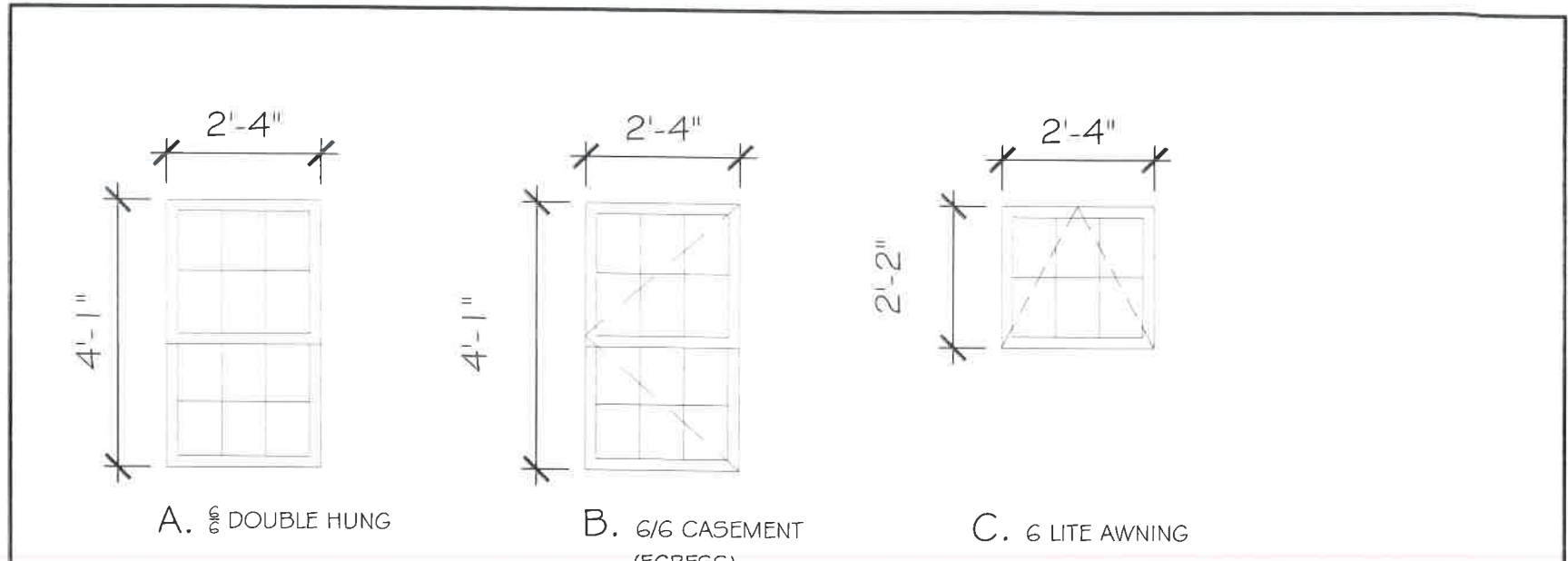




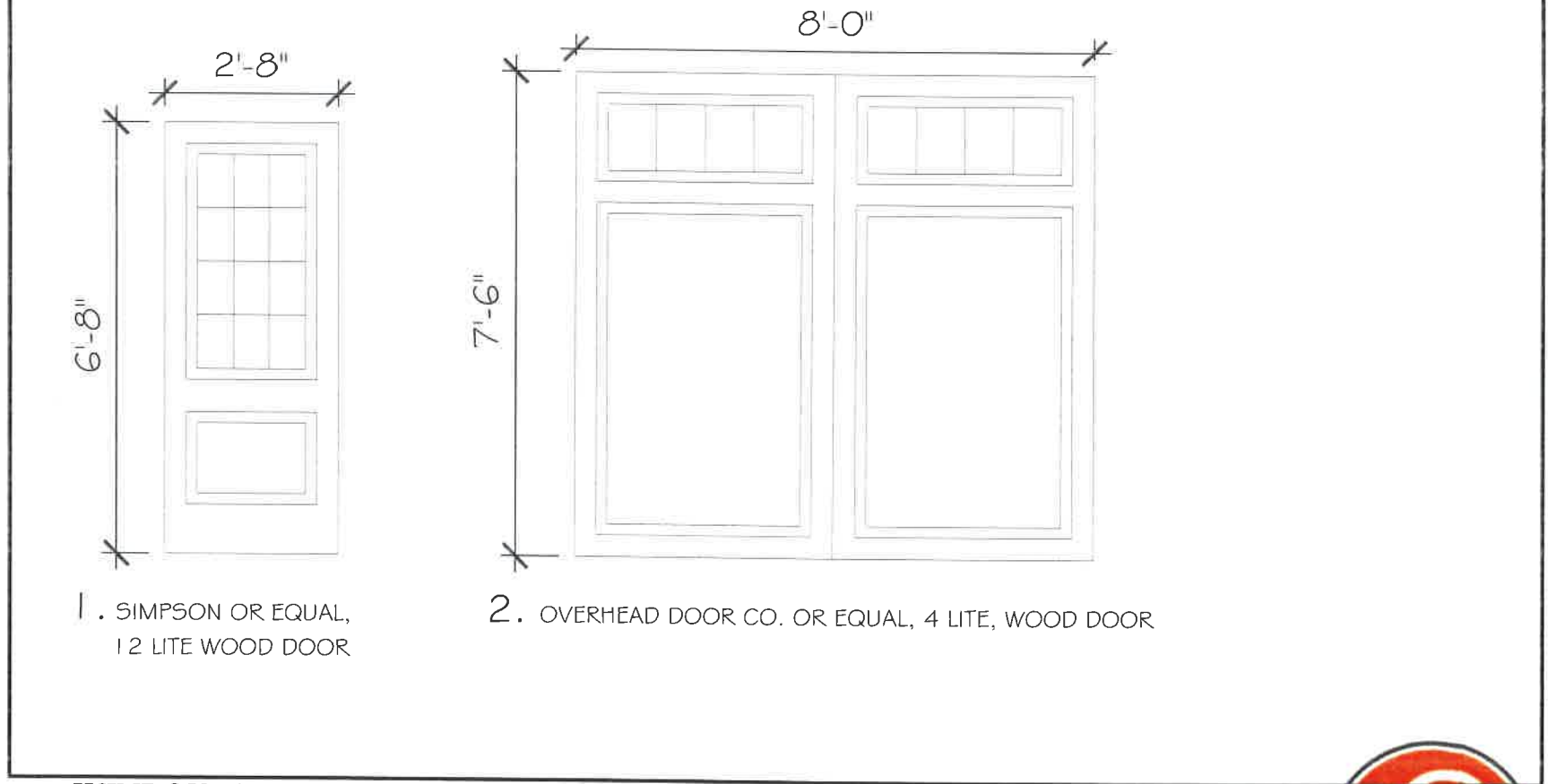
COVERED ENTRY AND BRACKET AT GARAGE



COVERED ENTRY AT BACK DOOR



ALL WINDOWS TO BE:
GREEN MOUNTAIN BRAND, WOOD WITH PROPORTIONALLY EQUAL PANE SIZES
TO MATCH THOSE APPROVED AND INSTALLED
ON THE RECENTLY RENOVATED HOME



WINDOW AND DOOR SCHEDULES





GREEN MOUNTAIN
WINDOW & DOOR
COMPANY

News

NEW CONSTRUCTION



GREEN MOUNTAIN WINDOW SPECIALIZES IN NEW CONSTRUCTION WINDOW SOLUTIONS FOR BUILDINGS DESIGNED TO MATCH THE NORTHEAST'S UNIQUE ARCHITECTURAL STYLE. OUR WINDOWS ARE DESIGNED TO BLEND THE DETAILS AND PATTERNS ONCE USED BY LOCAL CRAFTSMAN IN NORTHEASTERN SASH MILLS WITH THE LATEST ENERGY PERFORMANCE TECHNOLOGY.

TWO DIFFERENT NEW CONSTRUCTION SYSTEMS:

- MILESTONE SERIES FOR HISTORICAL ACCURACY AND SUPERIOR ENERGY PERFORMANCE
- CLASSIC SERIES FOR BUDGET DRIVEN PROJECTS THAT STILL DEMAND CORRECT WINDOW PROPORTIONS AND GREAT ENERGY EFFICIENCY



We offer two different product lines to fit any budget:



1. Milestone Series Double Hung: This is the most traditional looking double hung window on the market. The sash and frame details are all proportioned to match the historic windows used around the northeast in the 19th and early 20th century. Modern materials such as vinyl and metal are concealed by our exclusive frame design. The sash can tilt in by releasing our hidden release latches. Our hardware options mimic period appropriate design. Options of 5/8", 7/8" or 1 1/4" wide muntins allow you to design to the architectural period of your choice. And our sash is engineered to hide the fact that it holds the most energy efficient glazing available in a narrow glazing pocket; often people don't even realize that it is insulated glass.

2. Milestone Series Casement / Awning: Do you hate the look and operation of modern crank out hardware? Then this window was designed with you in mind. This is a push out system with hardware to hold the sash in any open position. Wide stiles and rails create an old world charm. And a wood framed screen on the interior compliments the traditional design. We offer a concealed friction hinge version and a butt hinge with a sash stay bar version. The window to the right shows the butt hinge / stay bar option on a French Casement (two sash in one frame).



3. Classic Series Double Hung: With this window you won't be sacrificing much to satisfy a more limited budget. The main difference between the Classic and Milestone double hung is the use of exposed vinyl tracks on the sides of the frame to hold the sash in place. These vinyl tracks make the sash a little more difficult to tilt in, are slightly less air tight and are less historic looking than the Milestone system. However, if your windows are painted white the vinyl will blend right in and no one will know that you paid less since all other features and options are the same as the Milestone. Classic window with transom in photo to the left.

4. Classic Series Casement / Awning: This window line has the roto crank hardware, narrow stiles / rails, and aluminum framed interior screen that is commonly found in modern casement and awning windows. However, creative use of our trim packages and muntin options will still make these windows draw attention. To the right is a Classic Series casement with a wood shutter.





Green Mountain Window Co.

*Having Trouble Finding Traditional Style Windows That Meet Egress Code?
Problem Solved!*



Green Mountain Window's DH Style Egress Window[®]

Meets Egress with Windows As Small As 2-0x3-10 Sash Size (2' 2" x 4' 0" Frame Size)
Matches the Glazing of a Double Hung with Offset Glass for Top and Bottom Lites
Matches the Dual Sash Appearance of a Double Hung with Offset Sash Plane on Exterior

Available as a new construction window (shown above) or as an insert replacement unit. Any divided lite pattern available (2/2, 6/6, 12/12, etc) with glass sizes and stiles / rail dimensions that match traditional double hung windows. Optional meeting rail sash lock (shown above).

Patents Pending

These drawings, details, photos and specifications are the exclusive property of Green Mountain Window Company. These drawings, details, photos and specifications shall only be used for specifying Green Mountain Window Company products and for no other purposes, other than use by the US Patent and Trademark Office. No other use or reproduction of these drawings and specifications shall be permitted in any form, whether by electronic, mechanical, photocopying, recording or other means, without the prior written consent of Green Mountain Window, and any unauthorized use or reproduction is strictly prohibited.

37512 — THERMAL SASH (SDL)







SERIES: Exterior French & Sash Doors
TYPE: Exterior French & Sash
APPLICATIONS: Can be used for a swing door, with barn track hardware, with pivot hardware, in a patio swing door or slider system and many other applications for the home's exterior.

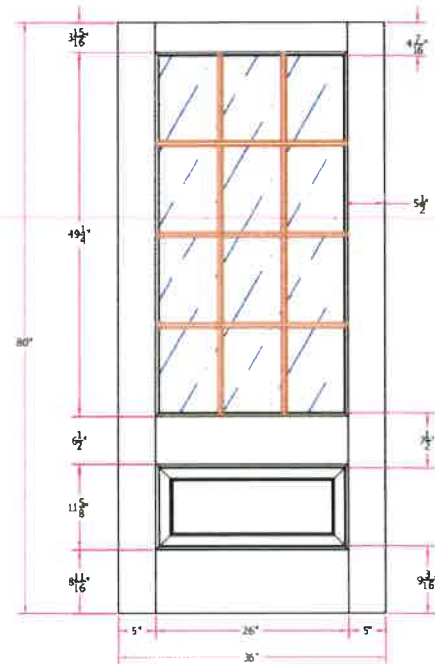
Construction Type:
 Engineered All-Wood Stiles and Rails with Dowel Pinned Stile/Rail Joinery

Panels: 1-7/16" Innerbond® Double Hip-Raised Panel
Glass: 3/4" Insulated Glazing

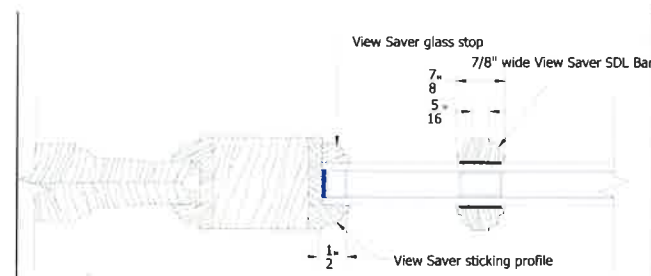
STANDARD FEATURES

-  Any Wood Species
-  Virtually Any Size
-  Glass Options
-  Privacy Rating: 1

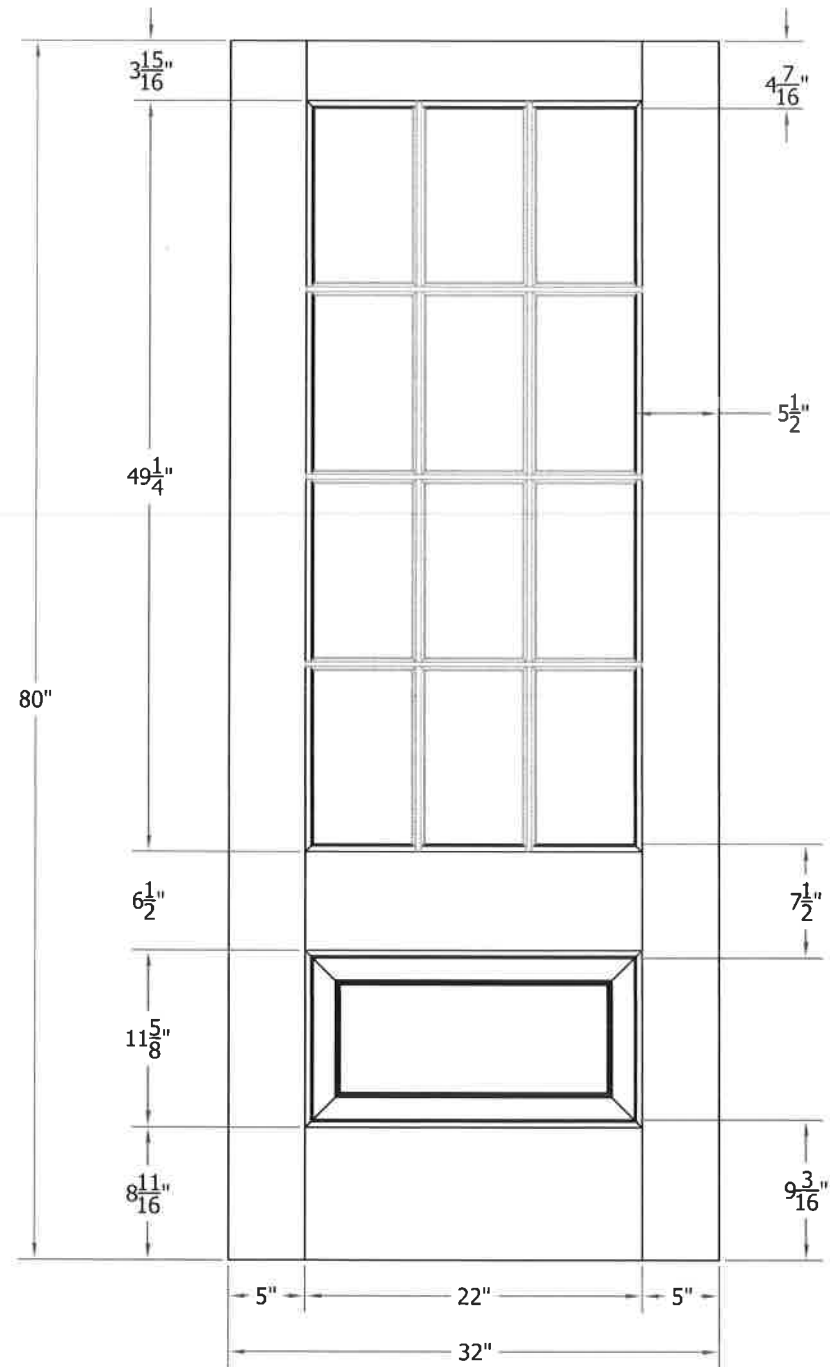
DETAILED DRAWING



DETAILS



(Standard)



THIS DRAWING AND THE INFORMATION CONTAINED HEREIN IS THE PROPRIETARY TO SIMPSON DOOR COMPANY AND SHALL NOT BE REPRODUCED, COPIED OR DISCLOSED IN WHOLE OR PART, OR USED FOR MANUFACTURE OR FOR ANY OTHER PURPOSE WITHOUT THE WRITTEN PERMISSION OF SIMPSON DOOR COMPANY.

TITLE 37512 2/8 x 6/8 Customer Layout			
DRAWING NO. D-37512-208-608-0700-SDL			
LAYOUT	SDL	SCALE	NTS
DRAWN BY: J. Decker		BORE PATTERN # 7018	
		DATE 11/09/2010	

Revisions

Rev. #	Description	Date	by Whom

Simpson[®]

Signature[®] Carriage WOOD



Custom crafted wood doors provide distinctive charm and unmatched luxury

The Genuine. The Original.





Signature® Carriage Wood doors combine the classic swing-open appearance and detailing of carriage house wood doors with the convenience of sectional garage doors. Inspired by Amish craftsmen, premium wood is transformed into the finest garage doors.

Built better from the inside out



Ponderosa Collection, Buchanan model, (580 B) stained finish, 4PA- Four Pane Arched Top

Multiple designs and options let you choose the perfect complement to your home with our style, window and glass options.

World class door with the best species of wood available.

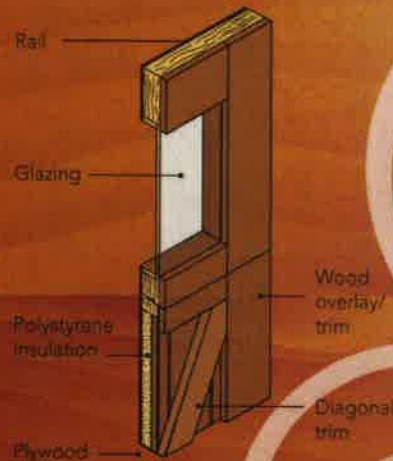
Polystyrene insulation can diminish street noise and provide quieter door operation. R-value* of 4.75 available for select models.

Our WindStorm™ wind load-rated system is available on select products to meet regulations for a variety of wind speeds.

*Overhead Door Corporation uses a calculated door section R-value for our insulated doors.

Door construction

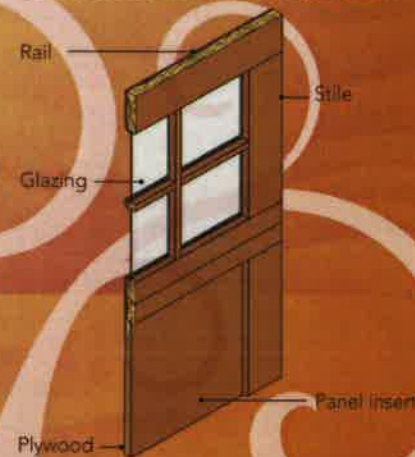
580 Series Premium Construction



Paint or stain grade, insulation standard.
2" four-layer construction*
Polystyrene insulation provides an R-value of 4.75*

*Thickness may vary slightly depending on wood type.

570 Series Standard Construction



Paint or stain grade, insulation optional.
Up to 1 3/4" thick rail and stile construction with panel inserts.

The perfect combination. We combine our trusted technical experience with the elegance of Amish craftsmanship to create a door that reflects handmade artistry built to stand the test of time.