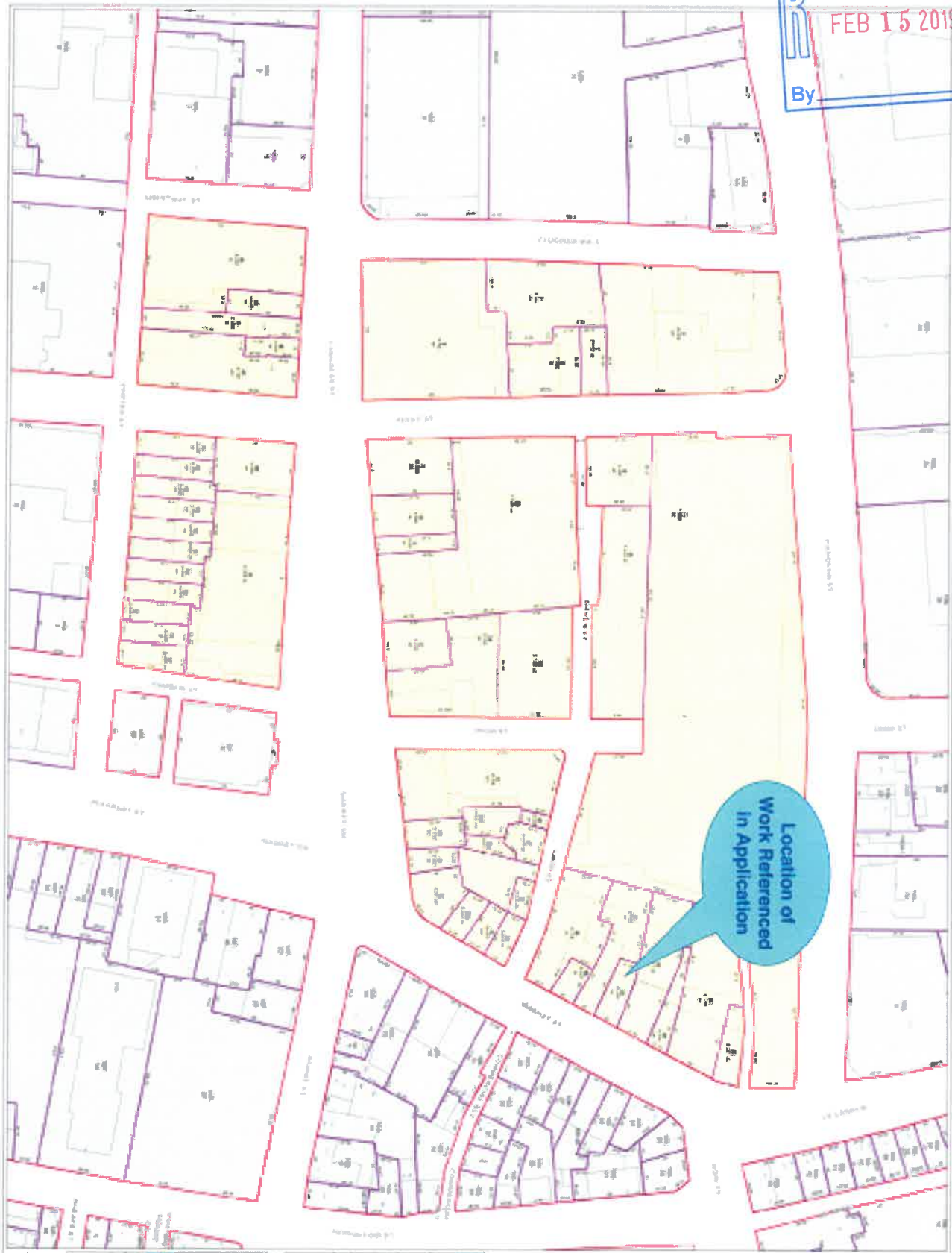


RECEIVED
 FEB 15 2019
 By



Location of Work Referenced in Application

Parcels to be appraised
 Parcels to be appraised for the calendar year 2018 are shown in yellow. Parcels to be appraised for the calendar year 2019 are shown in red. Parcels to be appraised for the calendar year 2020 are shown in blue.

Legend
 Parcels to be appraised for 2018
 Parcels to be appraised for 2019
 Parcels to be appraised for 2020

Scale
 0 10 20 30 40 50 Feet

North Arrow

Map of the area
 A small inset map shows the location of the main map area within the larger context of the town's boundaries.

Parcel Numbers
 124, 125, 118, 119, 126, 117, 108, 105, 927, 916, 106, 907, 104, 115, 109

Document: New Hampshire 2018 Tax Map 117



1992

© 2018 Google

43°04'39.92"N 70°45'27.82" W elev 63 ft eye alt 330 ft

Google Earth



UNIT SUMMARY

The following is a schedule of the windows and doors for this project. For additional unit details, please see Line Item Quotes.

Additional charges, tax or Terms and Conditions may apply. Detail pricing is per unit.

NUMBER OF LINES: 1

TOTAL UNIT QTY: 4

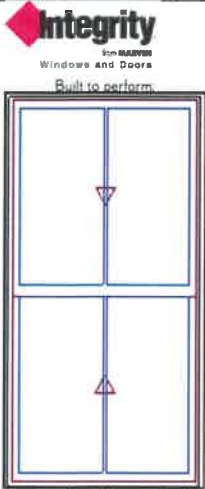
EXT NET PRICE: USD 3,729.16

LINE	MARKUNIT	BRAND	ITEM	NET PRICE	QTY	EXTENDED NET PRICE
1		Integrity	Wood-Ultrex Traditional Double Hung RO 40 1/2" X 77 1/2" Entered as FS 39 1/2" X 77"	932.29	4	3,729.16

LINE ITEM QUOTES

The following is a schedule of the windows and doors for this project. For additional unit details, please see Line Item Quotes. Additional charges, tax or Terms and Conditions may apply. Detail pricing is per unit.

Line #1	Mark Unit:	Net Price:	932.29
Qty: 4		Ext. Net Price:	3,729.16
		USD	



As Viewed From The Exterior

Entered As: FS
MO 40" X 77 1/4"
FS 39 1/2" X 77"
RO 40 1/2" X 77 1/2"

Egress Information

Width: 36 3/8" Height: 33 19/32"
 Net Clear Opening: 8.49 SqFt
 Sash Limiters and Window Opening Control Devices, when engaged, may reduce the egress opening dimensions of windows.

Stone White Exterior	
White Interior	43.94
Integrity Traditional Double Hung	757.25
Wood-Ultrex	
Frame Size 39 1/2" X 77"	
Rough Opening 40 1/2" X 77 1/2"	
Top Sash	
IG	
Low E2 w/Argon	
Stainless Perimeter and Spacer Bar	
7/8" SDL - With Spacer Bar - Stainless	35.89
Rectangular - Special Cut 2W1H	
Stone White Ext - White Int	
Bottom Sash	
IG	
Low E2 w/Argon	
Stainless Perimeter and Spacer Bar	
7/8" SDL - With Spacer Bar - Stainless	35.89
Rectangular - Special Cut 2W1H	
Stone White Ext - White Int	
White Interior Weather Strip Package	
White Sash Lock	
White Window Opening Control Device	21.24
Exterior Aluminum Screen	38.08
Stone White Surround	
Charcoal Fiberglass Mesh	
4 9/16" Jamb	
Thru Jamb Installation	

***Note: Divided lite cut alignment may not be accurately represented in the OMS drawing. Please consult your local representative for exact specifications.
 ***Note: Unit Availability and Price is Subject to Change

Project Subtotal Net Price: USD	3,729.16
0.000% Sales Tax: USD	0.00
Project Total Net Price: USD	3,729.16



Gallery

Watch the Video

Color Chart



K-STYLE

ENGLERT'S K-STYLE

Overview

K-Style

OVERVIEW



LeafGuard



RainPro



K-Style



MicroGuard
Leaf
Protection

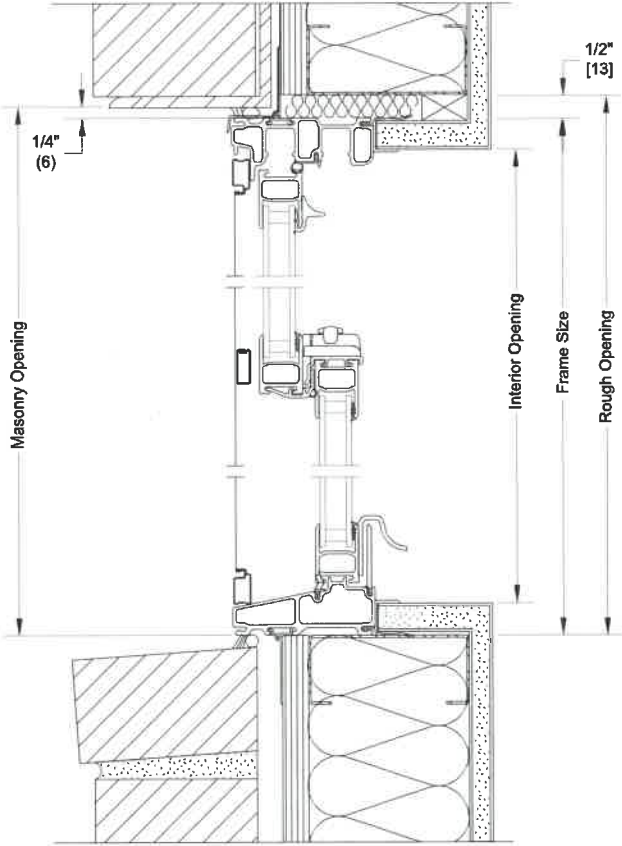


SureGuard

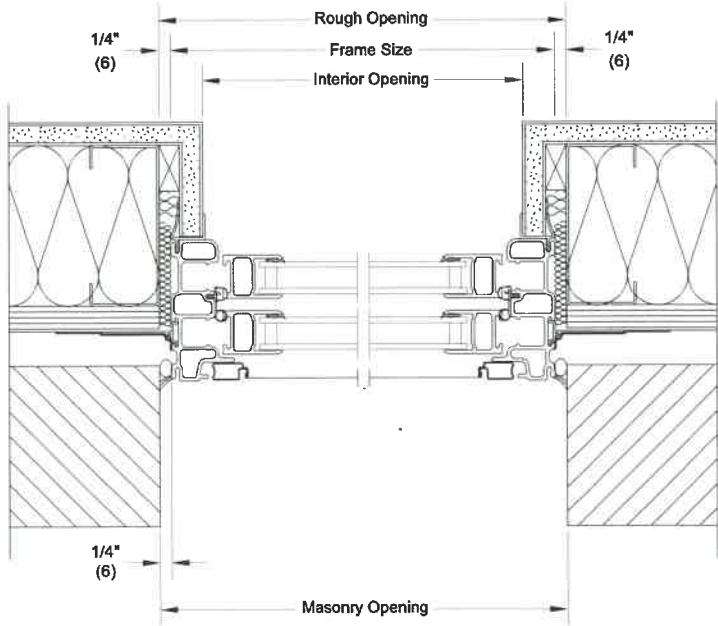
All Ultrex Double Hung

Installation Suggestions: Brick Veneer with Steel Frame Construction

Scale: 3" = 1' 0"



Head Jamb and Sill



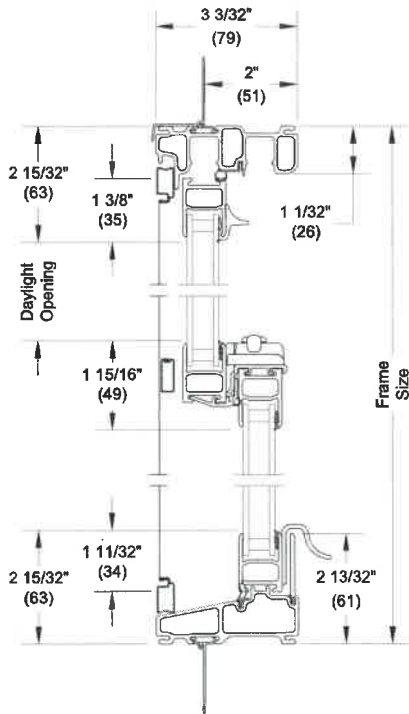
Jambs

*NOTE: Shown with optional sheet rock return. Picture unit installation similar.
 The above wall sections represent typical wall conditions, these detail are not intended as installation instructions.
 Please refer to the installation instructions provided with the purchased units.*

All Ultrex Double Hung

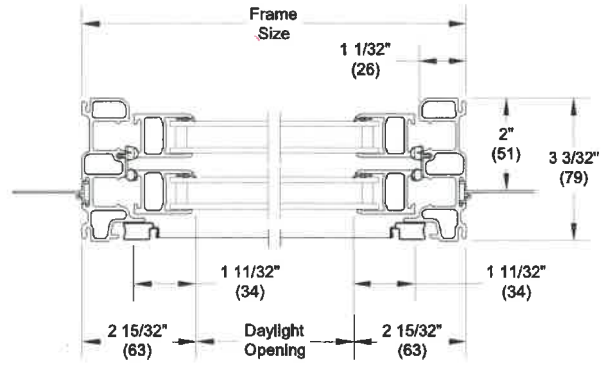
Section Details: Operator

Scale: 3" = 1' 0"

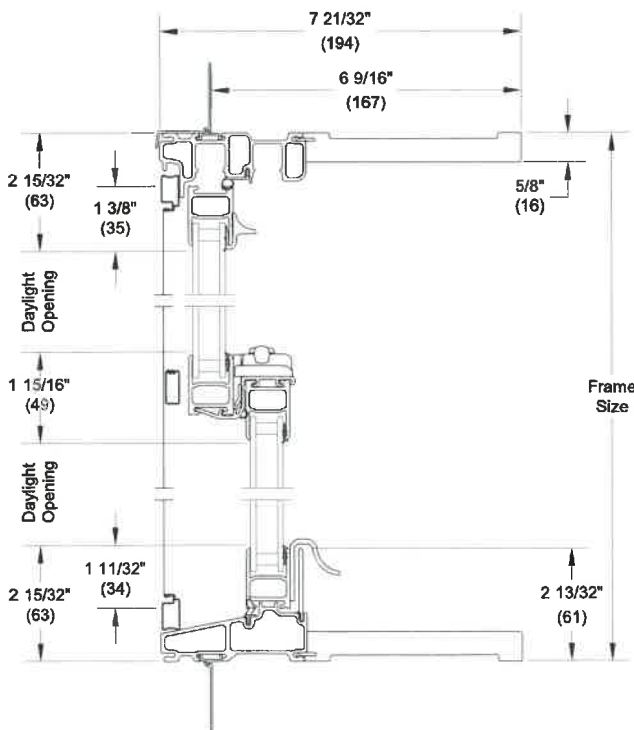


Head Jamb and Sill

Operating - 2" (51)

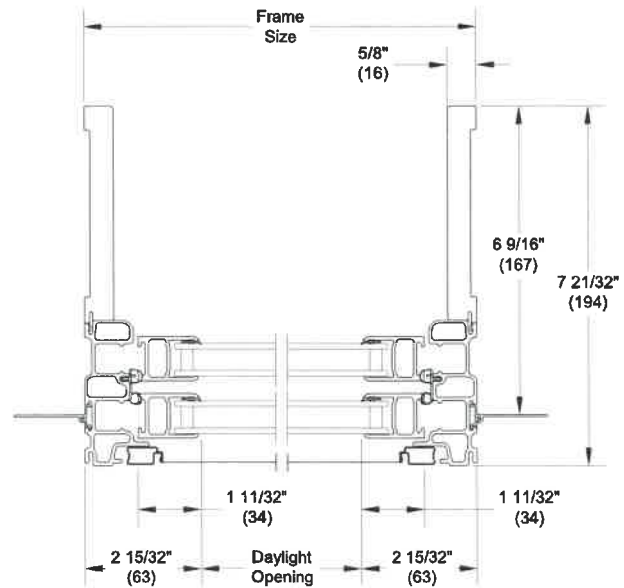


Jamb



Head Jamb and Sill

Operating - 6 9/16" (167)



Jamb

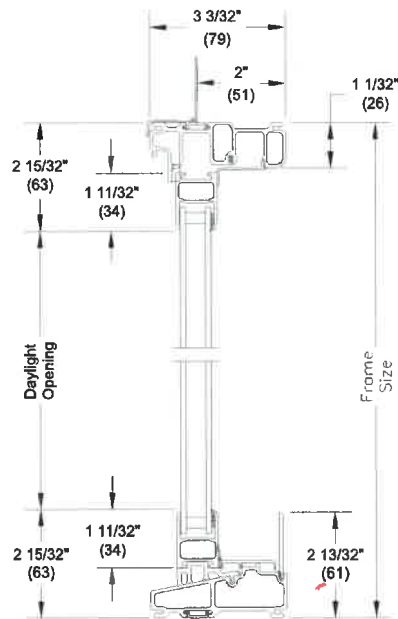
NOTE: Units also available with 4 9/16" jamb. Same jamb extension profile as 6 9/16" jamb extension shown.

All Ultrex Double Hung

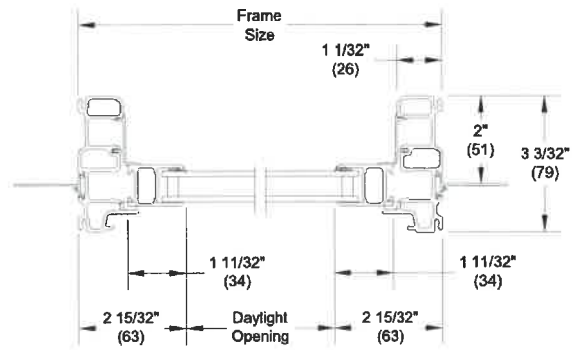
Section Details: Transom/Picture

Scale: 3" = 1' 0"

Stationary/Picture - 2" (51)

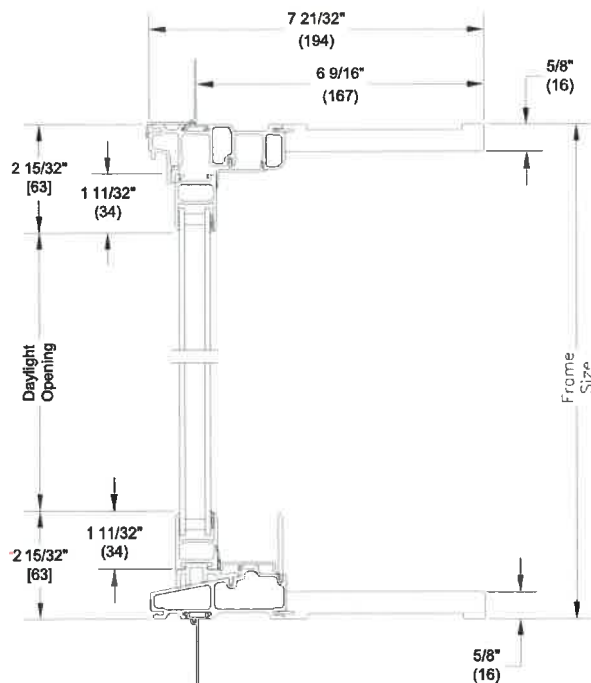


Head Jamb and Sill

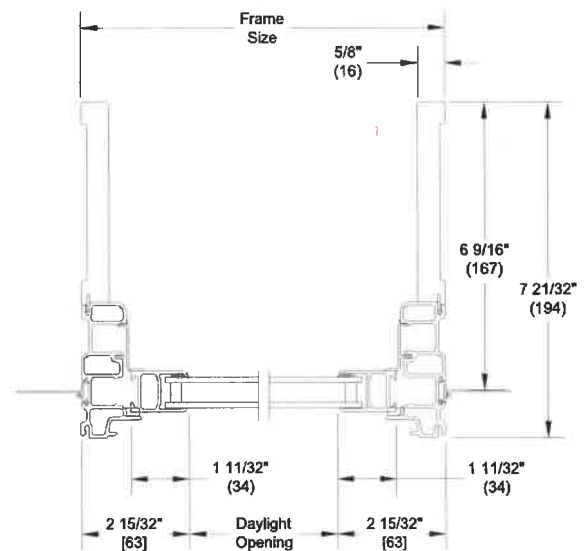


Jambs

Stationary/Picture - 6 9/16" (167)



Head Jamb and Sill



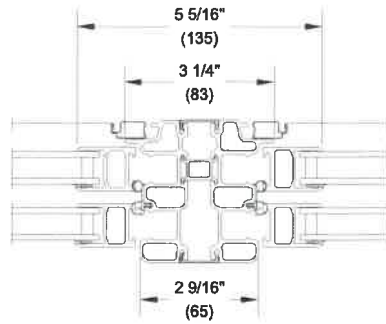
Jambs

NOTE: Units also available with 4 9/16" jamb. Same jamb extension profile as 6 9/16" jamb extension shown.

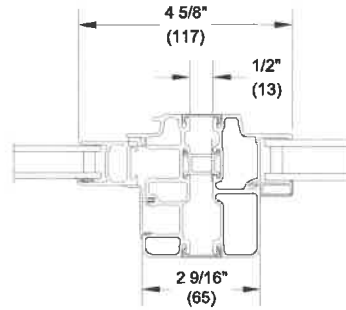
All Ultrex Double Hung

Section Details: Mullions

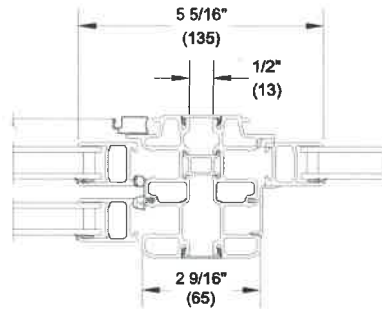
Scale: 3" = 1' 0"



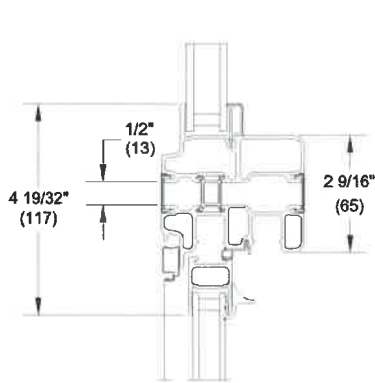
VERTICAL MULLION
IFDH TO IFDH



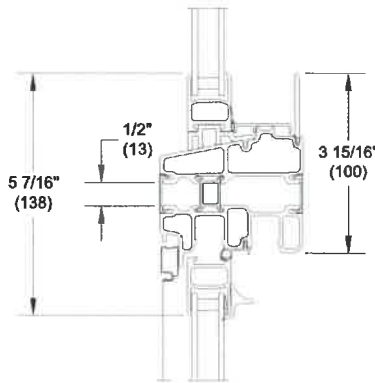
VERTICAL MULLION
IFSLP/IFSLT TO IFDGP



VERTICAL MULLION
IFDH TO IFSLT/IFSLP



VERTICAL MULLION
IFDH TO IFDGP



HORIZONTAL MULLION
IFDH TO IFSLT/IFSLP

All Ultrex Double Hung

Section Details: Reinforced Mullions

Scale: 3" = 1' 0"

