

May 16, 2019

Chairman Vincent Lombardi  
Historic District Commission  
City Hall  
1 Junkins Avenue  
Portsmouth, NH  
03801

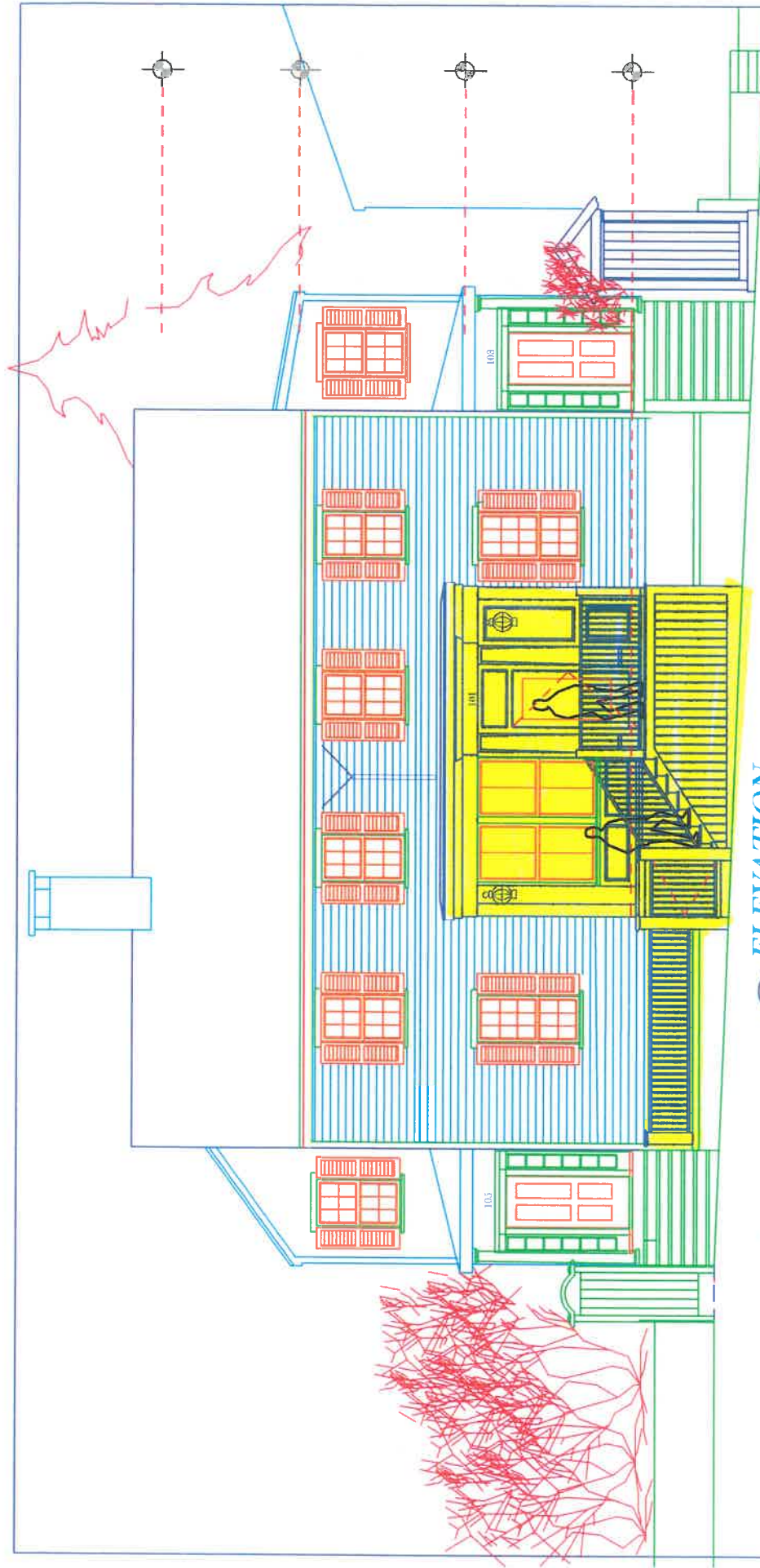
Dear Chairman Lombardi and Commission members,

We present these requested changes to our property known as 101/103/105 High Street.  
Currently used as 2 residential units, and one commercial unit housing a retail store.

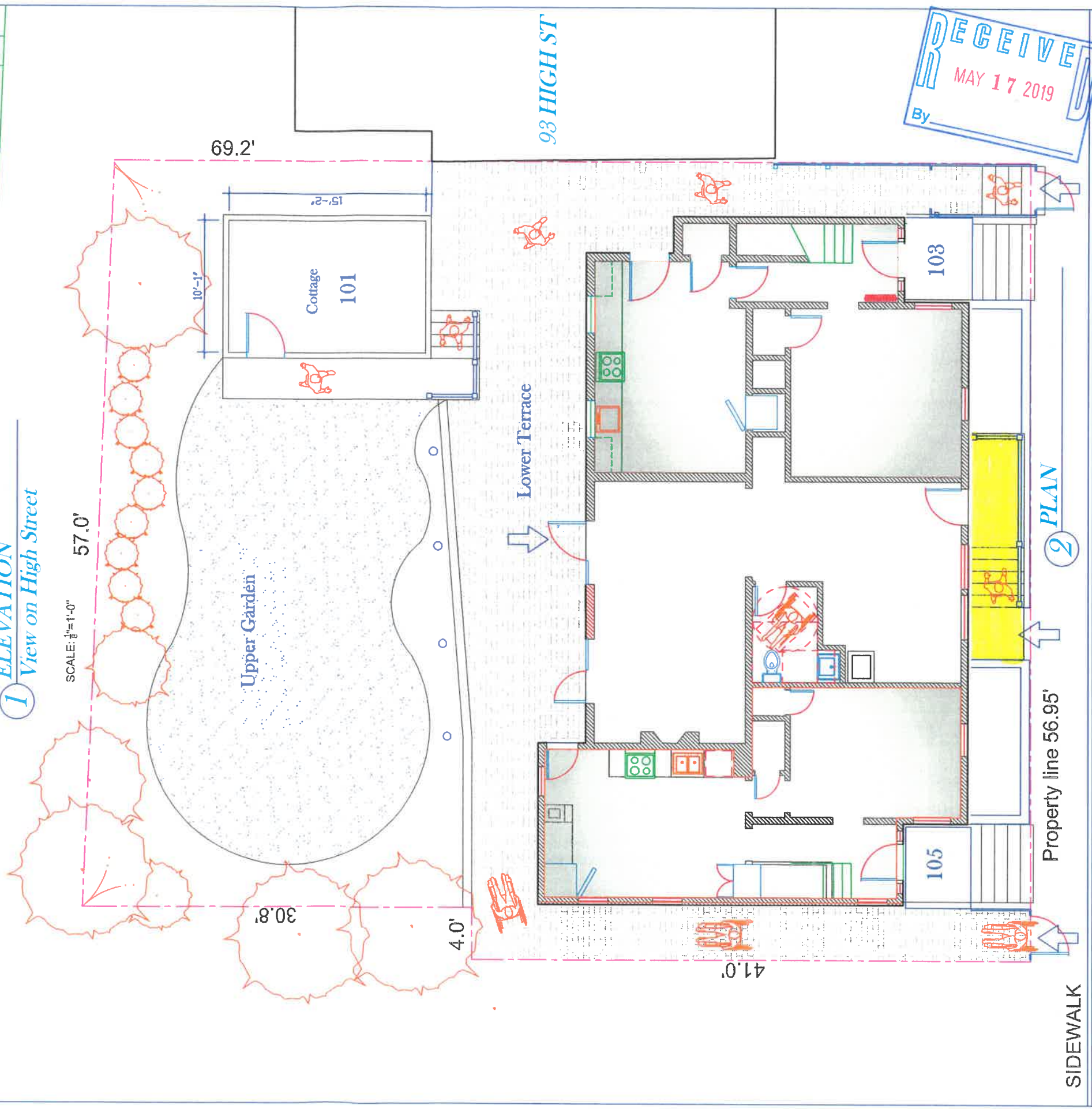
As you can see, we are wanting to present a more inviting retail storefront onto High Street, as  
the current retail entrance is through a gate and up a long brick path to the rear of the building.

The enclosed documents are the exact same proposal that gained unanimous approval in  
2016 by the HDC. The certificate of approval simply expired, and we are back before you with  
the exact same request.

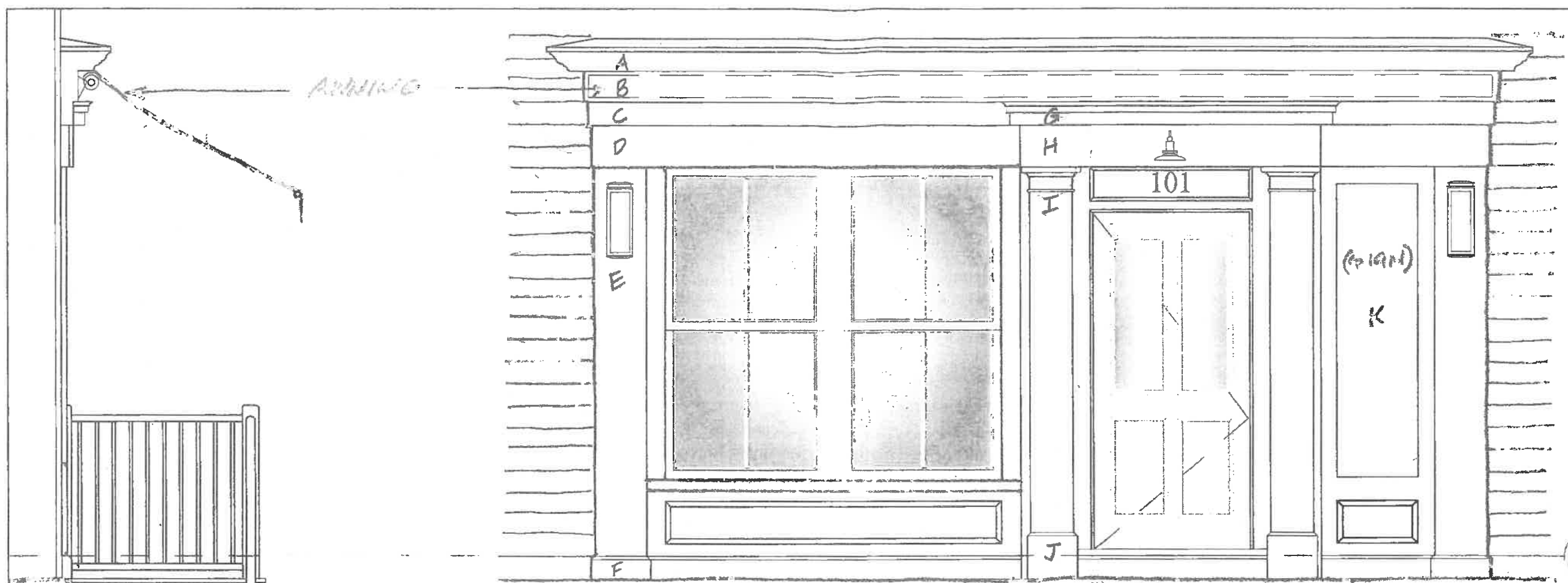
Respectfully,  
Joseph and Jennifer Almeida



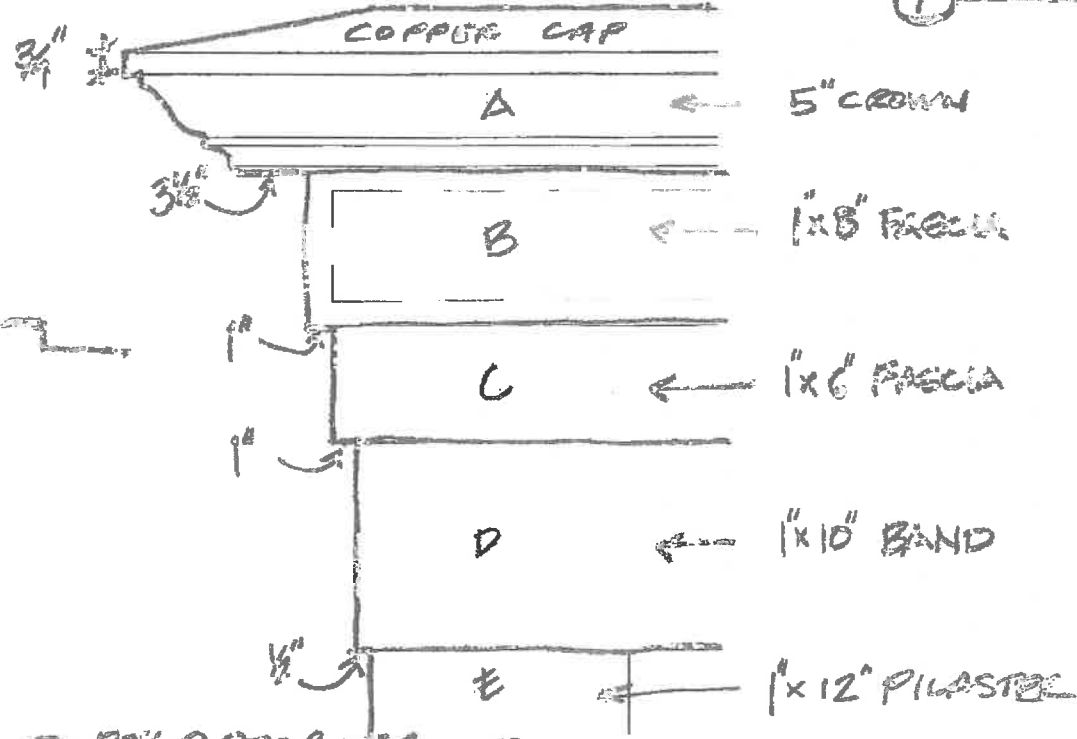
**1** ELEVATION  
View on High Street



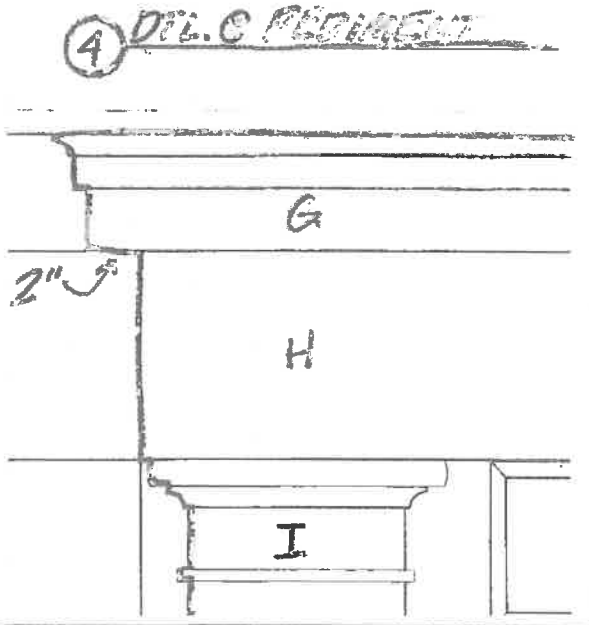
**2** PLAN



① ENLARGED ELEVATION



③ DET. 2 STOP BAND



④ DET. C PEDIMENT

② DET. @ LANDING

RENOVATIONS FROM 108-105 HIGH STREET  
 PORTSMOUTH NEW HAMPSHIRE  
 REVISIONS FROM PREVIOUS WORKING  
 SESSION AS REQUESTED  
 08/24

MAHOGANY RAIL  
W/PAINTE 1"X1" BALLOON  
4"X4" POSTS 1/2" 45° BEVEL  
3 TOPS.

NOTE: REMOVE BRACKETING  
NORM - HORIZONTAL RAILS



3 1/2" BOARDS W 3/4" SPACING  
MAHOGANY BEARING  
W/ALL CORNERS MITRED.





# CITY OF PORTSMOUTH

Community Development Department  
(603) 610-7232

Planning Department  
(603) 610-7216

**PLANNING DEPARTMENT**  
**HISTORIC DISTRICT COMMISSION**  
**CERTIFICATE OF APPROVAL**

**Date:** January 11, 2016

**To:** Joseph J. and Jennifer Almeida  
33 Blossom Street  
Portsmouth, NH 03801

**Re:** 103/105 High Street

The Historic District Commission considered your proposal at its meeting of January 6, 2016 wherein permission was requested to allow exterior renovations to an existing structure (modify front elevation by adding a storefront, landing, and stairs) as per plans on file in the Planning Department.

After due deliberation, the Commission voted that the request be **approved** as presented.

**Findings of Fact:** The proposed application meets the following purposes of the Historic District Ordinance (as applicable):

**A. Purpose and Intent:**

- Yes  No - Preserve the integrity of the District
- Yes  No - Maintain the special character of the District
- Yes  No - Assessment of the Historical Significance
- Yes  No - Complement and enhance the architectural and historic character
- Yes  No - Conservation and enhancement of property values
- Yes  No - Promote the education, pleasure & welfare of the District to the city residents and visitors

Page 2  
Re: 103/105 High Street  
January 11, 2016

The proposed application also meets the following review criteria of the Historic District Ordinance (as applicable):

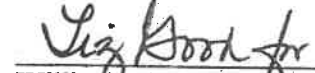
**B. Review Criteria:**

- ✓ Yes  No - Consistent with special and defining character of surrounding properties
- Yes  No - Relation to historic and architectural value of existing structures
- ✓ Yes  No - Compatibility of design with surrounding properties
- ✓ Yes  No - Compatibility of innovative technologies with surrounding properties

**PLEASE NOTE:** Prior to the issuance of a building permit, the Building Inspector will need to review and approve construction drawings/sketches so work shall not commence until the review process is complete. Applicants should note that approvals may also be required from other Committees and/or Boards prior to the issuance of a Building Permit.

The minutes and tape recording of the meeting may be reviewed in the Planning Department.

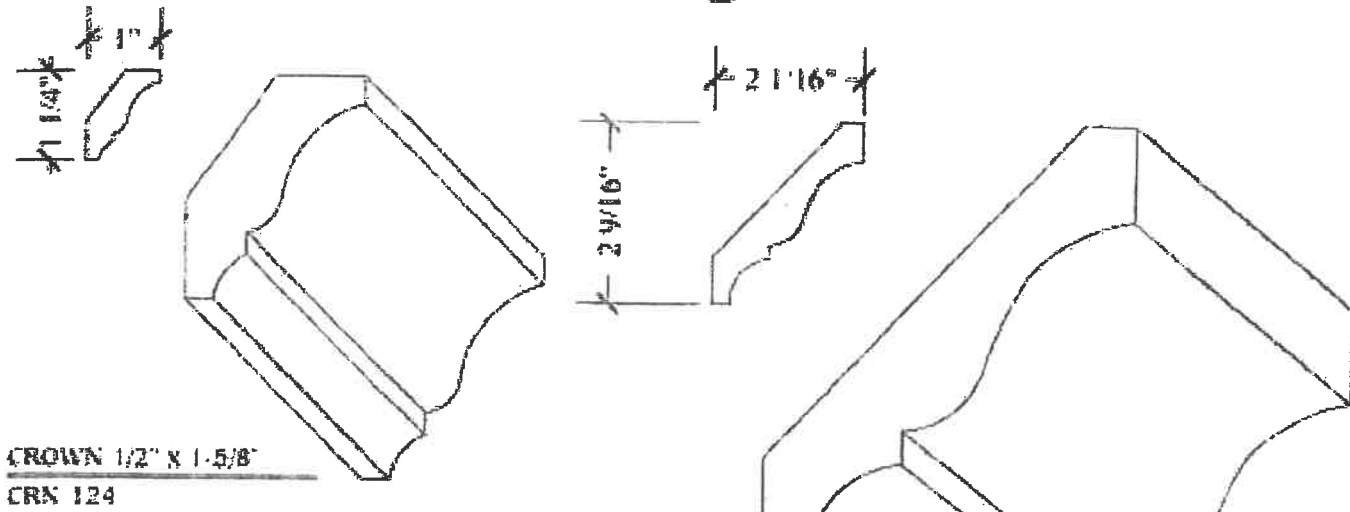
Respectfully submitted,



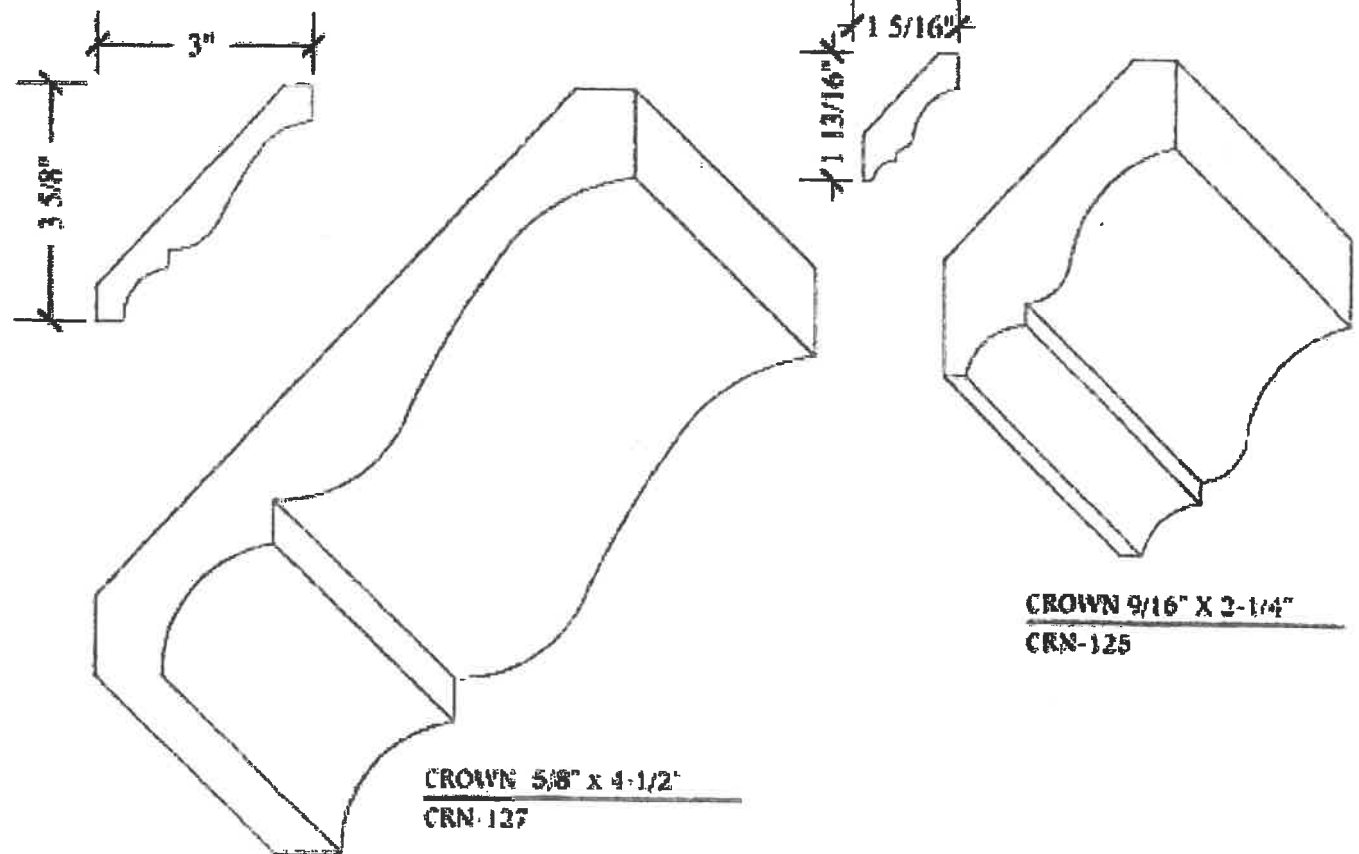
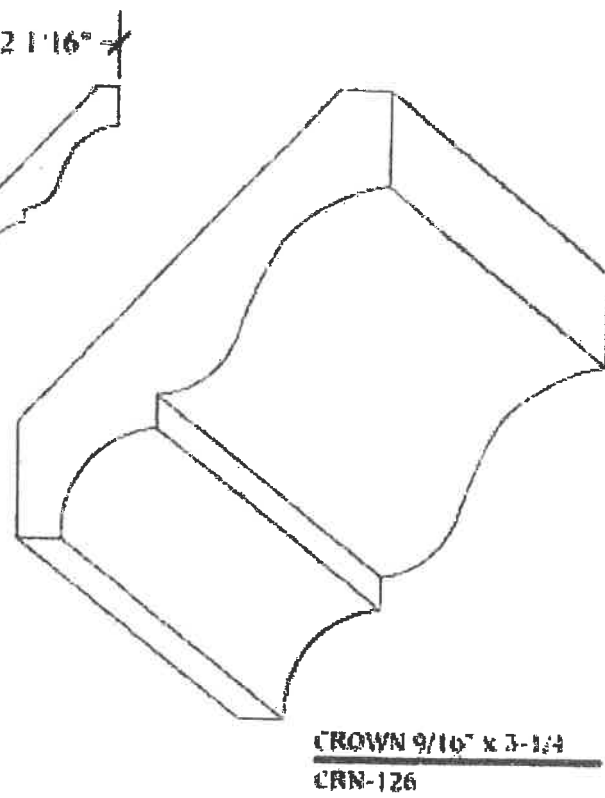
William Gladhill, Vice Chairman  
Historic District Commission

cc: Robert Marsilia, Chief Building Inspector  
Rosann Maurice-Lentz, Assessor

# Crown Moulding, continued



- Species In Stock:**  
 Alder (Select)  
 Alder (Knotty)  
 Cherry  
 Maple (Hard White)  
 Mahogany (Khaya)  
 Poplar  
 Red Oak  
 Euro Beech



(800) 375-3410 Available Now Live Chat Chat Now

Are you a Pro? My Account Order Status Contact Us Help



What are you shopping for?

Search

Cart - 0 Items

Home Ceiling Lights Wall Lights



Bathroom Lights Chandeliers Pendants

Call or Live Chat for Best Price

You are: Home > Brands > Murray Feiss > Outdoor Lighting

### Murray Feiss OL8600RSZ Restoration

Item #: BC1881049

View the entire [Redding Station Collection](#)

\$96.00

Originally \$134.40, You Save 29%

4.5/6 [Read 3 Reviews](#) [Write a Review](#)

Shipping: **Free Shipping!** [See Details](#)

Finish: **Restoration Bronze - In Stock**

[Tech Specs](#)

734 In Stock

Leaves the Warehouse in 1 to 2 business days

1 Qty

[Add To Cart](#)

[HomeAdvisor](#) Get it installed by a [HomeAdvisor](#) Pro

[Return Policy](#)

[Earn 96 points](#) with the purchase of this product

Product Videos



#### [Do It Yourself: Installing an Outdoor Wall Sconce](#)

Learn how to change out your wall sconce to update your home. Follow Justin Bergson as he shows you the step-by-step procedure in making this project a quick and simple one

#### People Who Viewed Murray Feiss OL8600 Also Viewed

#### Product Details for the Murray Feiss OL8600RSZ in Restoration Bronze

All Aboard! Reminiscent of old railroad lighting, the Redding Station outdoor lighting collection warmly illuminates its surroundings no matter the residential architecture. The all-aluminum shades are designed to withstand the elements and feature a detailed silhouette which conveys the vintage styling which has become so popular. These fixtures are easy to relamp from underneath.

#### Features:

- Constructed of durable Aluminum ensuring years of reliable performance outdoors
- Dark sky friendly. Designed to emit no light above the 90° horizontal plane.





(800) 375-3410 Available Now Live Chat Chat Now

Are you a Pro? My Account Order Status Contact Us Help



What are you shopping for?

Search

Cart - 0 Items

Home Ceiling Lights Wall Lights



Bathroom Lights Chandeliers Pendants

Call or Live Chat for Best Price

You are Home > Outdoor Lighting > All Outdoor Lighting > M

### Murray Feiss OL7400ASTB Astral

Item #: BC11284573

View the entire Whitaker Collection

\$181.00

Originally \$253.40, You Save 29%

5/5 Read 2 Reviews Write

Shipping: Free Shipping! See

Finish: Astral Bronze Text

920 In Stock

Leaves the Warehouse in 1 to 2 business days

1 Qty

Add To Cart

Pro: HomeAdvisor Get it installed by a HomeAdvisor Pro

Return Policy

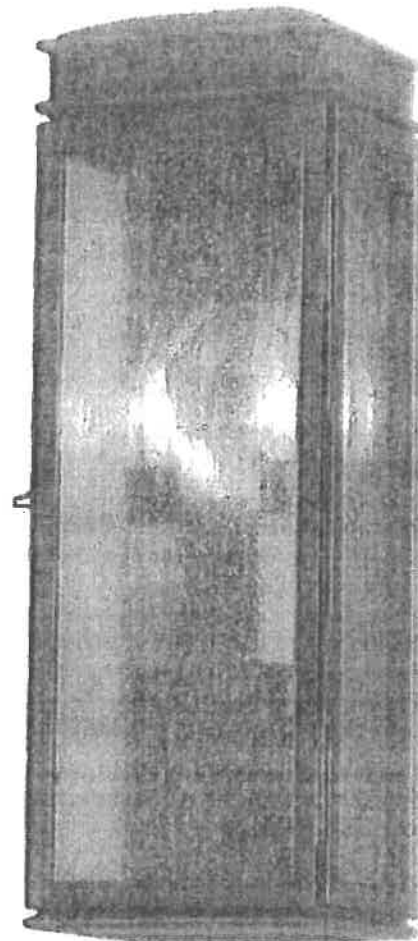
Earn 181 points with the purchase of this product

Product Videos



#### Do It Yourself: Installing an Outdoor Wall Sconce

Learn how to change out your wall sconce to update your home. Follow Justin Bergson as he shows you the step-by-step procedure in making this project a quick and simple one



#### People Who Viewed Also Viewed

#### Product Details for the Murray Feiss OL7400ASTB in Astral Bronze

The Whitaker Collection is a fresh interpretation of the classic English pocket lantern. A traditional latched door allows for easy re-lamping. The polished nickel reflector is both historically accurate and increases light output. Designed with a 5 inch square back plate to allow easy installation. Features stainless steel frame, solid brass hinge and latch and powder coated steel roof & base. A four step finishing process of powder coating, hand finishing and two coats of outdoor polyurethane assure its weather resistance and lasting beauty.

#### Features:

- Constructed of powder coated steel ensuring years of reliable performance outdoors
- Features Clear, Seeded Glass

SEP 18 2015  
By

# Green Mountain Window Co.

92 Park St, Rutland, Vermont

[Home](#) | [Milestone](#) | [The GMW Advantage](#) | [Classic](#) | [Contact Us](#)

## Green Mountain Window Is Proud to Introduce:

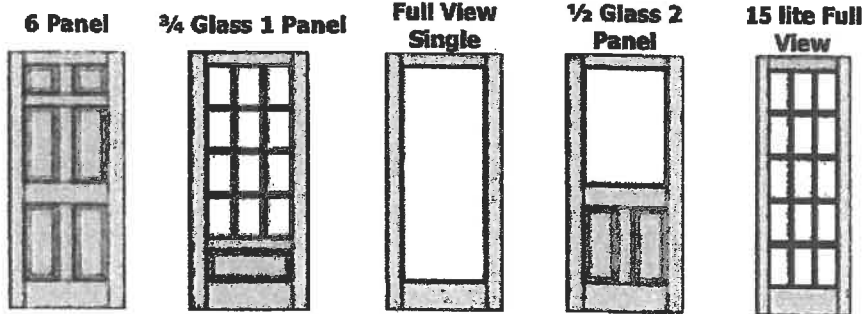
- [About Us](#)
- [Cabot Colors](#)
- [Contact](#)
- [Distributors](#)
- [Doors](#)
- [Help Wanted](#)
- [Milestone](#)
- [Classic](#)
- [The Green Mountain Window Advantage](#)

### The Green Mountain Door

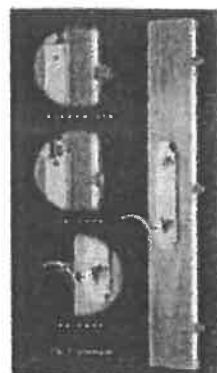
Nothing dramatizes a home better than a high quality, well designed entrance door.



Available in these five styles:



Featuring multi-point hardware  
The "Trilennium" – The Strongest Triple Bolt Latch



- 3 Points Latch, 3 Points Deadbolt.
- Intuitive North American Function.
- Easy Operation.
- Single Stroke from Bolted to Open.
- 3 Points Latched, 3 Points Dead-Bolted.
- Visual Indication of Locked / Unlocked (90° Thumbturn Rotation).
- Variety of Styles & 8 Finishes Available.
- Easy Jobber/Wholesaler Friendly Fabrication.
- Template Systems Available.
- Proven Design/Reliability (Over 8 Years of Field Operation).

Manufactured in the USA. (Handle set shown not standard)

You can choose your swing way and sill type

| SWING OR FRENCH SLIDING DOOR SELECTION SHEET                           |   |  |  |   |
|--|---|--|--|---|
| Shaded cells indicate the default choice if no other selection is made |   |  |  |   |
| UNIT:  | (Specify Operation)   |  |  |   |
| QUANTITY:  |   |  |  |   |
| EXTERIOR:  | <input type="checkbox"/> Natural  | <input type="checkbox"/> Primed  | <input type="checkbox"/> Painted, Color: _____   | <input type="checkbox"/> Other: _____                     |
| INTERIOR:  | <input type="checkbox"/> Natural  | <input type="checkbox"/> Primed  | <input type="checkbox"/> Other _____   |   |
| GLAZING:   | <input type="checkbox"/> Regular Insulated  | <input type="checkbox"/> Low E - Argon   | <input type="checkbox"/> Low E - Krypton   | <input type="checkbox"/> Other _____                      |
| SWING DOOR HARDWARE:   | <input type="checkbox"/> No<br><input type="checkbox"/> Single Boss<br><input type="checkbox"/> Double Boss | <input type="checkbox"/> Brass Multipoint  | Special Finish:<br><input type="checkbox"/> Oil Rb Brnz<br><input type="checkbox"/> Nickel<br><input type="checkbox"/> Antique Brass | <input type="checkbox"/> Polished Chrome                  |
| SLIDING DOOR HARDWARE:   | <input type="checkbox"/> Brass Handle   | Special Finish:  | <input type="checkbox"/> Oil Rb Brnz<br><input type="checkbox"/> Nickel<br><input type="checkbox"/> Antique Brass                    | <input type="checkbox"/> Polished Chrome                  |
| DIVIDED LIGHT PATTERN:   | <input type="checkbox"/> 2w2h   | <input type="checkbox"/> 2w3h  | <input type="checkbox"/> 2w4h  | <input type="checkbox"/> 2w5h                             |
|  | <input type="checkbox"/> 3w2h   | <input type="checkbox"/> 3w3h  | <input type="checkbox"/> 3w4h  | <input type="checkbox"/> 3w5h                             |
|  | <input type="checkbox"/> 2w6h   | <input type="checkbox"/> 3w6h  | <input type="checkbox"/> Other _____   |   |
| DIVIDED LIGHT METHOD:  | <input type="checkbox"/> Full Surround Grille   | <input type="checkbox"/> Airspace Grille   | <input type="checkbox"/> 5/8" SDL  | <input type="checkbox"/> 7/8" SDL                         |
| SPACER FOR DIVIDED LIGHT:  | <input type="checkbox"/> No   | <input type="checkbox"/> Yes <input type="checkbox"/> Gray<br><input type="checkbox"/> Black |  |   |
| JAMB DEPTH:  | <input type="checkbox"/> 4 9/16"  | <input type="checkbox"/> 6 9/16"   | <input type="checkbox"/> 7 9/16"   | <input type="checkbox"/> Other _____                      |
| EXTERIOR CASING:   | <input type="checkbox"/> None   | <input type="checkbox"/> Brickmold   | <input type="checkbox"/> 5/4 x 4 Flat  | <input type="checkbox"/> 5/4 x 5 Flat                     |
|  | <input type="checkbox"/> 5/4 x 6 Flat   | <input type="checkbox"/> No Finger Joints  | <input type="checkbox"/> Other _____   |   |
| SPECIAL CASING DETAIL:   | <input type="checkbox"/> Flat Pediment Head Applied   | <input type="checkbox"/> Angled Pediment Head Applied  | <input type="checkbox"/> Other _____   |   |
| SILL: (choices are for swing door only)                                | <input type="checkbox"/> Bronze Anodized Aluminum   | <input type="checkbox"/> Mahogany  | <input type="checkbox"/> Other _____   |   |
| SCREEN:  | <input type="checkbox"/> White Sliding Aluminum with Fiberglass Mesh  | <input type="checkbox"/> _____ Sliding Aluminum with Fiberglass Mesh                         | <input type="checkbox"/> Wood Swinging with Fiberglass Mesh  | <input type="checkbox"/> Wood Swinging with Aluminum Mesh |

Home :: About :: Distributors :: The Green Mountain Window Advantage :: Classic :: Milestone :: Contact Us :: The Green Mountain Door

Copyright © 2007 Green Mountain Window Co. All Rights Reserved

Date Application Rec'd \_\_\_\_\_

Application for Certificate of Approval *WORK SESSION*

# Historic District Commission

(For projects over \$25,000; Work Sessions are strongly recommended)

*PUBLIC HEARING*

Owner: JOSEPH & JENNIFER ALMEIDA Applicant (if different) SAME

Address: 33 BLOSSOM ST Address: \_\_\_\_\_  
(Street) (Street)

ROCKY HILL \_\_\_\_\_  
(City, State, Zip) (City, State, Zip)

Phone: \_\_\_\_\_ Phone: \_\_\_\_\_

Signature: 

| Date of Hearing | Fee | Plans, Photos, etc. | Index/Permit #: |
|-----------------|-----|---------------------|-----------------|
|                 |     |                     |                 |

Location of Structure: Map 118 Lot 22 Street Address: 103/105 HIGH ST.

Description of Existing Structure: 2 FAMILY W/RETAIL.

To permit the following: MODIFY FRONT ELEVATION BY ADDING A STORE FRONT.

| Action Taken at Public Hearing |  |
|--------------------------------|--|
| Date:                          |  |
| As Per Plan:                   |  |
| Stipulations:                  |  |
| Revisions #1:                  |  |
| Revisions #1:                  |  |
| Other:                         |  |
| Signature of Chairman:         |  |

**If approved, please acknowledge below:**

I hereby acknowledge that all changes or variation in the design as presented shall require further Historic District Commission approval.

Owner \_\_\_\_\_

SEP 18 2015

# Green Mountain Window Co.

92 Park St, Rutland, Vermont

Home | Distributors | The GMW Advantage | Milestone | Contact Us

## The Green Mountain Window Classic Series

Built in New England ... for New England



- About Us
- Cabot Colors
- Contact
- Distributors
- Doors
- Help Wanted
- Milestone
- Classic
- The Green Mountain Window Advantage

### Green Mountain Window vs. The Competition.....

|           | GMW Classic Series Features  | Other Manufacturers  | The GMW Advantage   |
|-----------|--|--|---|
| GLASS     | ✓ 11/16" Low E Argon filled glass with warm-edge spacer *          | 5/8 or less insulated glass with inefficient aluminum spacer | Lower heating and cooling costs, less likely to have condensation problems. |
|           | ✓ Full unit u-value = .35 (regular insulated glass also available) |  |   |
| SEALS     | ✓ 20 year glass warranty   | Many are 10 years or less.                                   | Longer lasting seals and glass.   |
|           | ✓ Exterior clad with poly grafted coating *                        | Just primed or clad with aluminum.                           | Much better protection. Will not scratch or pit like aluminum.              |
| SASH      | ✓ Mortised, tenoned, and pinned corners                            | Many are lap-jointed which makes them less durable.          | More solid. More structural integrity.                                      |
|           | ✓ Beveled side rails   | Many are square.   | Bevel matches jamb liner and cuts down on air infiltration. Easier tilting. |
| FRAME     | ✓ Coped edge around glass  | Square edge.   | Better aesthetics with coped edge.  |
|           | ✓ Wide bottom rail   | Narrow rails and stiles.                                     | A more traditional appearance.  |
| FINISH    | ✓ Heavy gauge extruded vinyl clad frame *                          | Primed, painted or aluminum.                                 | Better protection from scratches and exposure. Will not pit or flake.       |
|           | ✓ One piece integral nail fin *                                    | Slide-on two piece unit.                                     | Better seal around window, less air infiltration, easier installation.      |
| OPERATION | ✓ White block and tackle tilt in balances                          | Many use springs, and some do not allow the sash to tilt in. | Quieter operation. Longer lasting. Much easier to wash windows.             |
|           | ✓ Removable sill stop for stool cap                                | Many require reworking side stops for stool application.     | Traditional appearance. Not the "picture framed" look.                      |
| STYLE     | ✓ 7/8" wide wood colonial profile comes standard                   | Many are just square bars.                                   | Traditional colonial replication.   |
|           | ✓ Many other styles available (Not Pictured)                       |  |   |
| LITE      | ✓ 5/8", 7/8" or 1 1/4" simulated divided lite available            |  |   |
|           | ✓ Authentic interior and exterior profiles, assorted lite patterns | Many do not offer.   | The most traditional look available with insulated glass.                   |

\* Clad window only (Prime window has 1/2" glass with wood glazing bead or 11/16" glass with vinyl glazing bead)

One piece integral nail fin. 5/4 x 4 applied casing also available.

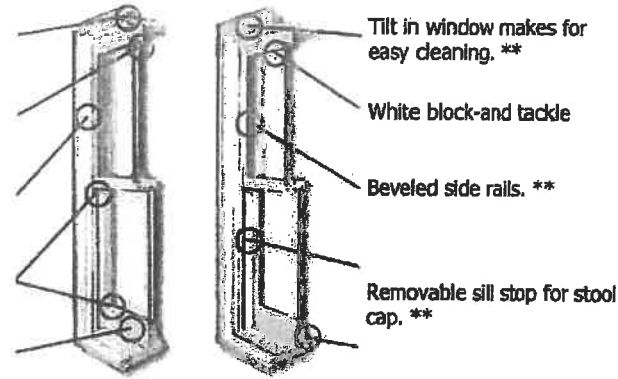
Standard brick mold casing 5/4 x 4 & 5/4 x 6 also available. \*\*

1 1/16" low e argon filled glass with warm edge spacer.

Exterior frame clad with heavy gauge extruded vinyl.

Mortised, tenoned and pinned corners provide superior strength. \*\*

Wide bottom rails. \*\*.



Exterior View

Vinyl Clad

Primed Wood

\*\* Same features on Clad and Primed windows.

| ENERGY DATA            |                         | U-Factor |         | R-Value |         | SHGC |         | VT  |         | NFRC Certified | ENERGY STAR † | Performance Rating |
|------------------------|-------------------------|----------|---------|---------|---------|------|---------|-----|---------|----------------|---------------|--------------------|
|                        |                         | Res      | Non-Res | Res     | Non-Res | Res  | Non-Res | Res | Non-Res |                |               |                    |
| Clad or Prime Exterior | 1 1/16" Clear Insulated | .495     | .495    | 2.02    | 2.02    | .55  | .55     | .57 | .59     |                |               | DP30               |
|                        | 1 1/16" Low E / Argon   | .35      | .34     | 2.86    | 2.94    | .47  | .48     | .53 | .55     | X              | X             | DP30               |
| Prime Exterior Only    | 1/2" Clear Insulated    | .54      | .54     | 1.85    | 1.85    | .55  | .55     | .57 | .59     |                |               | DP30               |
|                        | 1/2" Low E / Argon      | .41      | .40     | 2.44    | 2.50    | .47  | .48     | .53 | .55     | X              |               | DP30               |
|                        | 1/2" Low E / Krypton    | .35      | .34     | 2.86    | 2.94    | .47  | .48     | .53 | .55     | X              | X             | DP30               |

† ENERGY STAR compliant for northern and central regions



**A product so good it is Energy Star rated \***

The Green Mountain Window exceeds the current industry standard of measuring thermal performance, called "resistance to thermal transfer". Why? Because our windows are actually a source of energy! The US Department of Energy has awarded Green Mountain Windows its ENERGY STAR Certification because our windows are so energy efficient. In a single day, our high tech glass can contribute up to 2 1/2 times more heat into your home than it allows to escape. In fact, it is estimated that for every Green Mountain Window installed in your home instead of regular insulated glass, you will save about 12.5 gallons of oil each heating season. In the summer, our insulated glass can reduce heat entry by 36%\*\*.



**Designed for extreme New England climate**

*"Our house is less than 50 yards from the Atlantic Ocean and window selection for our renovation was critical. Over the years, our Green Mountain Windows have met all our expectations and more. You've created a great product that stands out above the rest for quality and value."*

Brady Schofield-Newport, RI



The Green Mountain Window product line was specifically designed to withstand the weather extremes of New England. Our windows are manufactured in Vermont and utilize the finest materials and technologies available in the industry today. The Green Mountain Window has been tested by an independent laboratory and found to be thermally superior to most windows marketed in New England. Our windows will help lower heating and cooling costs, eliminate moisture condensation, and protect furniture and carpeting from damaging UV rays. Our windows give you the convenience of a modern tilt-in sash with a traditional New England appearance.

**Construction is the key to eliminating interior condensation**

The Green Mountain Window is constructed with low-emissivity, argon gas filled, insulating glass, 1 1/16" thick on the clad unit – one key to its superior insulating qualities. Add to that a warm edge spacer system, and you now have a thermal barrier which keeps the inner surface of your window closer to the inside room temperature. The closer the inside surface of the window is to room temperature, the



*"The fine craftsmanship and Yankee Ingenuity Green Mountain Window has demonstrated in their products has saved us hundreds of man-hours over the use of competitive clad units. It takes a team to succeed in this business, and it is a pleasure to have you as part of our team."*

Stephen Desmaris, President  
Desmaris Construction  
Milford, NH

warmer your home will be. Condensation is also less likely to form. Add to this a design that guards against air infiltration, and you will find your whole window area warmer in the winter.

**The Green Mountain Window is NFRC certified**

The Green Mountain Window has been tested by an independent laboratory and has been NFRC Certified. This gives you the security of knowing you are purchasing a tested, reliable product that surpasses most other windows on the market in terms of thermal efficiency and air infiltration -- the two most important qualities for a window in New England. Our DP30 rating means that Green Mountain Windows will even stand up to tough commercial applications.

\* Products using 11/16" Low E / Argon or 1/2" Low E / Krypton glass meet ENERGY STAR criteria for Northern and Central Regions. Look for the ENERGY STAR label on qualified products - see table on page 2.

**Download our Classic Series rough opening guide below**

- [Classic Double Hung Selection Sheet](#)
- [Classic Double Hung Sizes](#)
- [Classic Casement Selection](#)
- [Classic Casement Sizes](#)
- [Classic Awning Selection](#)
- [Classic Awning Sizes](#)
- [Classic Cross Sections](#)

Home :: About :: Distributors :: The Green Mountain Window Advantage :: Classic :: Milestone :: Contact Us :: The Green Mountain Door

Copyright © 2007 Green Mountain Window Co. All Rights Reserved

# Green Mountain Window Co.

92 Park St, Rutland, Vermont

[Home](#) | [Distributors](#) | [The GMW Advantage](#) | [Milestone](#) | [Contact Us](#)

## The Green Mountain Window Classic Series

Built in New England ... for New England



North Hero, VT



Brandon, VT



Bedford, NH

### Green Mountain Window vs. The Competition.....

| GMW Classic Series Features   | Other Manufacturers  | The GMW Advantage   |
|---|--|---|
| <ul style="list-style-type: none"> <li>✓ 11/16" Low E Argon filled glass with warm-edge spacer *</li> <li>✓ Full unit u-value = .35 (regular Insulated glass also available)</li> </ul> | <ul style="list-style-type: none"> <li>5/8 or less Insulated glass with inefficient aluminum spacer</li> </ul> | <ul style="list-style-type: none"> <li>Lower heating and cooling costs, less likely to have condensation problems.</li> </ul> |
| <ul style="list-style-type: none"> <li>✓ 20 year glass warranty</li> </ul>  | <ul style="list-style-type: none"> <li>Many are 10 years or less.</li> </ul>                                   | <ul style="list-style-type: none"> <li>Longer lasting seals and glass.</li> </ul>   |
| <ul style="list-style-type: none"> <li>✓ Exterior clad with poly grafted coating *</li> </ul>   | <ul style="list-style-type: none"> <li>Just primed or clad with aluminum.</li> </ul>                           | <ul style="list-style-type: none"> <li>Much better protection. Will not scratch or pit like aluminum.</li> </ul>              |
| <ul style="list-style-type: none"> <li>✓ Mortised, tenoned, and pinned corners</li> </ul>   | <ul style="list-style-type: none"> <li>Many are lap-jointed which makes them less durable.</li> </ul>          | <ul style="list-style-type: none"> <li>More solid. More structural integrity.</li> </ul>                                      |
| <ul style="list-style-type: none"> <li>✓ Beveled side rails</li> </ul>  | <ul style="list-style-type: none"> <li>Many are square.</li> </ul>   | <ul style="list-style-type: none"> <li>Bevel matches jamb liner and cuts down on air infiltration. Easier tilting.</li> </ul> |
| <ul style="list-style-type: none"> <li>✓ Coped edge around glass</li> </ul>   | <ul style="list-style-type: none"> <li>Square edge.</li> </ul>   | <ul style="list-style-type: none"> <li>Better aesthetics with coped edge.</li> </ul>  |
| <ul style="list-style-type: none"> <li>✓ Wide bottom rail</li> </ul>  | <ul style="list-style-type: none"> <li>Narrow rails and stiles.</li> </ul>                                     | <ul style="list-style-type: none"> <li>A more traditional appearance.</li> </ul>  |
| <ul style="list-style-type: none"> <li>✓ Heavy gauge extruded vinyl clad frame *</li> </ul>   | <ul style="list-style-type: none"> <li>Primed, painted or aluminum.</li> </ul>                                 | <ul style="list-style-type: none"> <li>Better protection from scratches and exposure. Will not pit or flake.</li> </ul>       |
| <ul style="list-style-type: none"> <li>✓ One piece integral nail fin *</li> </ul>   | <ul style="list-style-type: none"> <li>Slide-on two piece unit.</li> </ul>                                     | <ul style="list-style-type: none"> <li>Better seal around window, less air infiltration, easier installation.</li> </ul>      |
| <ul style="list-style-type: none"> <li>✓ White block and tackle tilt in balances</li> </ul>   | <ul style="list-style-type: none"> <li>Many use springs, and some do not allow the sash to tilt in.</li> </ul> | <ul style="list-style-type: none"> <li>Quieter operation. Longer lasting. Much easier to wash windows.</li> </ul>             |
| <ul style="list-style-type: none"> <li>✓ Removable sill stop for stool cap</li> </ul>   | <ul style="list-style-type: none"> <li>Many require reworking side stops for stool application.</li> </ul>     | <ul style="list-style-type: none"> <li>Traditional appearance. Not the "picture framed" look.</li> </ul>                      |
| <ul style="list-style-type: none"> <li>✓ 7/8" wide wood colonial profile comes standard</li> <li>✓ Many other styles available (Not Pictured)</li> </ul>                                | <ul style="list-style-type: none"> <li>Many are just square bars.</li> </ul>                                   | <ul style="list-style-type: none"> <li>Traditional colonial replication.</li> </ul>   |
| <ul style="list-style-type: none"> <li>✓ 5/8", 7/8" or 1 1/4" simulated divided lite available</li> <li>✓ Authentic interior and exterior profiles, assorted lite patterns</li> </ul>   | <ul style="list-style-type: none"> <li>Many do not offer.</li> </ul>   | <ul style="list-style-type: none"> <li>The most traditional look available with insulated glass.</li> </ul>                   |

\* Clad window only (Prime window has 1/2" glass with wood glazing bead or 11/16" glass with vinyl glazing bead)

One piece integral nail fin. 5/4 x 4 applied casing also available.

Standard brick mold casing 5/4 x 4 & 5/4 x 6 also available. \*\*

- About Us
- Cabot Colors
- Contact
- Distributors
- Doors
- Help Wanted
- Milestone
- Classic
- The Green Mountain Window Advantage

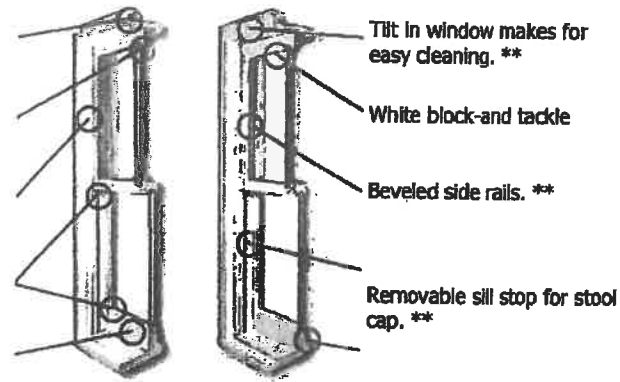


1 1/16" low e argon filled glass with warm edge spacer.

Exterior frame clad with heavy gauge extruded vinyl.

Mortised, tenoned and pinned corners provide superior strength. \*\*

Wide bottom rails. \*\*.



Exterior View  
 Vinyl Clad    Primed Wood    \*\* Same features on Clad and Primed windows.

| ENERGY DATA            |                         | U-Factor |         | R-Value |         | SHGC |         | VT  |         | NFRC Certified | ENERGY STAR † | Performance Rating |
|------------------------|-------------------------|----------|---------|---------|---------|------|---------|-----|---------|----------------|---------------|--------------------|
|                        |                         | Res      | Non-Res | Res     | Non-Res | Res  | Non-Res | Res | Non-Res |                |               |                    |
| Clad or Prime Exterior | 1 1/16" Clear Insulated | .495     | .495    | 2.02    | 2.02    | .55  | .55     | .57 | .59     |                |               | DP30               |
|                        | 1 1/16" Low E / Argon   | .35      | .34     | 2.86    | 2.94    | .47  | .48     | .53 | .55     | X              | X             | DP30               |
| Prime Exterior Only    | 1/2" Clear Insulated    | .54      | .54     | 1.85    | 1.85    | .55  | .55     | .57 | .59     |                |               | DP30               |
|                        | 1/2" Low E / Argon      | .41      | .40     | 2.44    | 2.50    | .47  | .48     | .53 | .55     | X              |               | DP30               |
|                        | 1/2" Low E / Krypton    | .35      | .34     | 2.86    | 2.94    | .47  | .48     | .53 | .55     | X              | X             | DP30               |

† ENERGY STAR compliant for northern and central regions



**A product so good it is Energy Star rated \***

The Green Mountain Window exceeds the current industry standard of measuring thermal performance, called "resistance to thermal transfer". Why? Because our windows are actually a source of energy! The US Department of Energy has awarded Green Mountain Windows its ENERGY STAR Certification because our windows are so energy efficient. In a single day, our high tech glass can contribute up to 2 1/2 times more heat into your home than it allows to escape. In fact, it is estimated that for every Green Mountain Window installed in your home instead of regular Insulated glass, you will save about 12.5 gallons of oil each heating season. In the summer, our insulated glass can reduce heat entry by 36%\*\*.



**Designed for extreme New England climate**

*"Our home is less than 50 yards from the Atlantic Ocean and window selection for our renovation was critical. Over the years, our Green Mountain Windows have met all our expectations and more. You've created a great product that stands out above the rest for quality and value."*

Brady Schofield-Newport, RI



**Construction is the key to eliminating interior condensation**

The Green Mountain Window is constructed with low-emissivity, argon gas filled, insulating glass, 1 1/16" thick on the clad unit – one key to its superior insulating qualities. Add to that a warm edge spacer system, and you now have a thermal barrier which keeps the inner surface of your window closer to the inside room temperature. The closer the inside surface of the window is to room temperature, the



warmer your home will be. Condensation is also less likely to form. Add to this a design that guards against air infiltration, and you will find your whole window area warmer in the winter.

**The Green Mountain Window is NFRC certified**

*"The fine craftsmanship and Yankee Ingenuity Green Mountain Window has demonstrated in their products has saved us hundreds of man-hours over the use of competitive clad units. It takes a team to succeed in this business, and it is a pleasure to have you as part of our team."*

Stephen Desmaris, President  
Desmaris Construction  
Milford, NH

The Green Mountain Window has been tested by an independent laboratory and has been NFRC Certified. This gives you the security of knowing you are purchasing a tested, reliable product that surpasses most other windows on the market in terms of thermal efficiency and air infiltration -- the two most important qualities for a window in New England. Our DP30 rating means that Green Mountain Windows will even stand up to tough commercial applications.

\* Products using 1 1/16" Low E / Argon or 1/2" Low E / Krypton glass meet ENERGY STAR criteria for Northern and Central Regions. Look for the ENERGY STAR label on qualified products - see table on page 2.

**Download our Classic Series rough opening guide below**

- [Classic Double Hung Selection Sheet](#)
- [Classic Double Hung Sizes](#)
- [Classic Casement Selection](#)
- [Classic Casement Sizes](#)
- [Classic Awning Selection](#)
- [Classic Awning Sizes](#)
- [Classic Cross Sections](#)

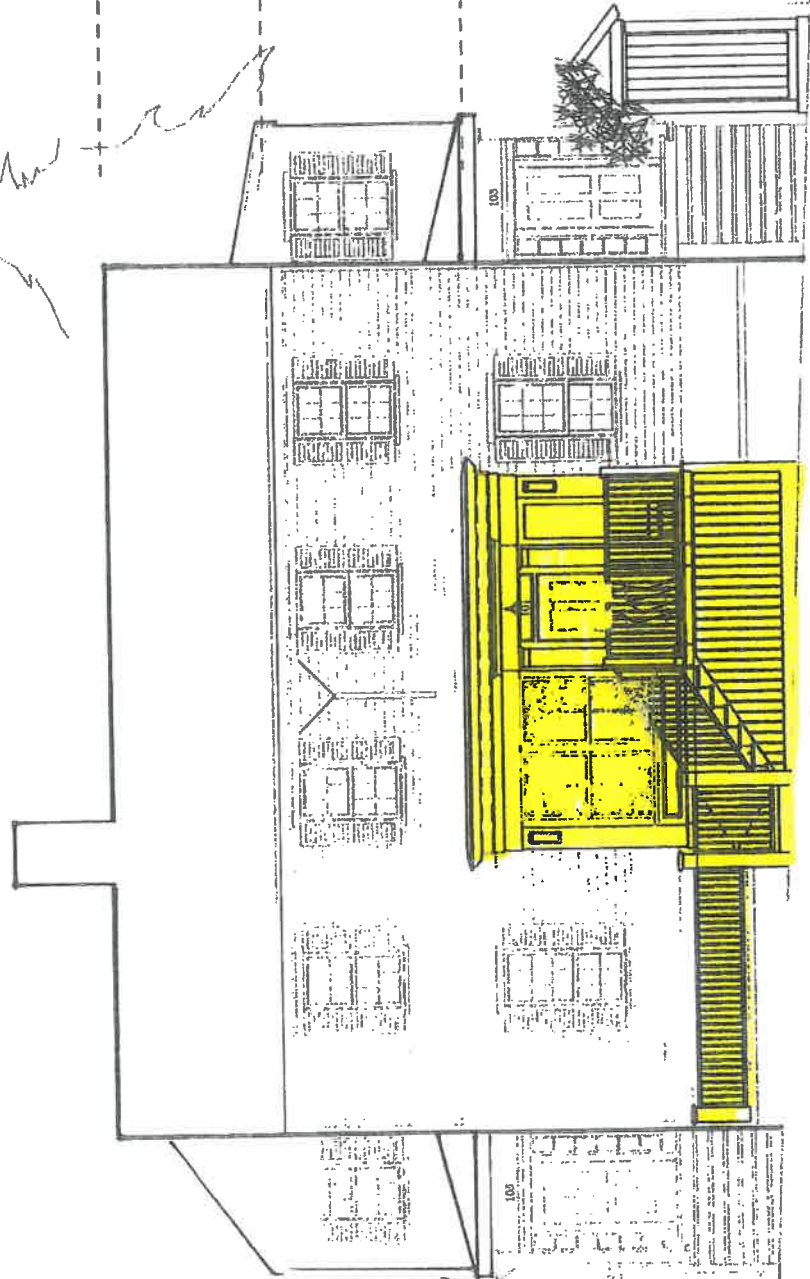
Home :: About :: Distributors :: The Green Mountain Window Advantage :: Classic :: Milestone :: Contact Us :: The Green Mountain Door

Copyright © 2007 Green Mountain Window Co. All Rights Reserved

Received at Meeting

JAN - 6 2014

From Joe Almeida



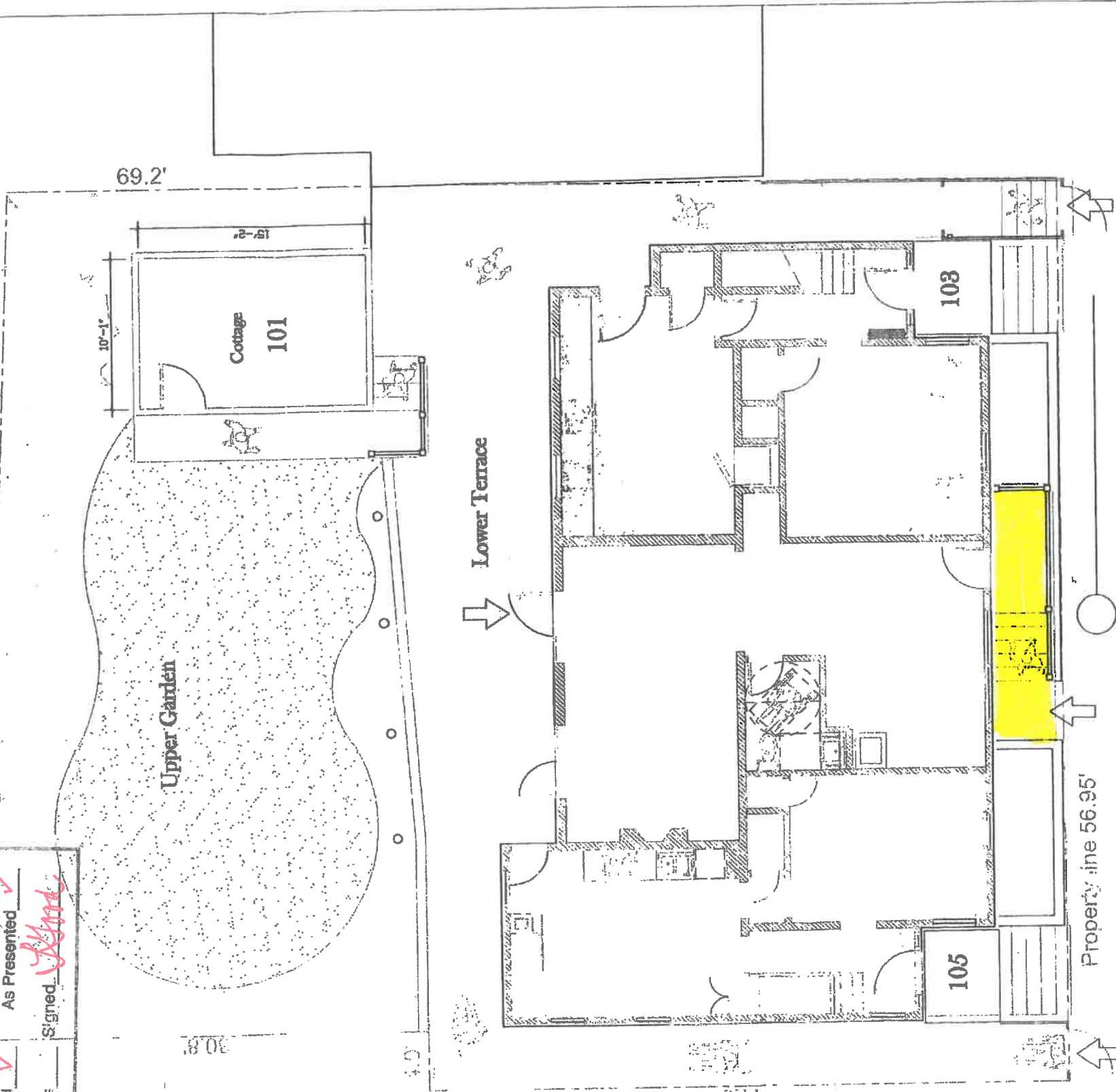
**HISTORIC DISTRICT COMMISSION**

Approved (date of meeting) 1/6/14 ✓ As Presented ✓

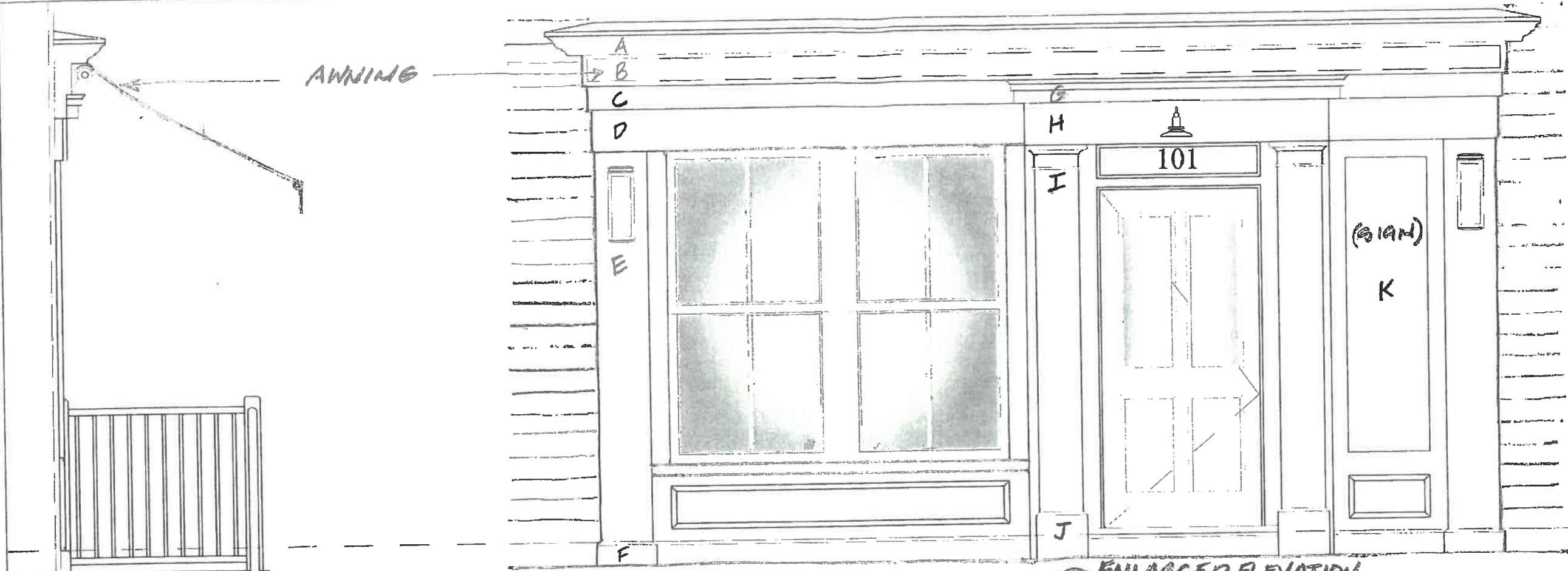
As Advertised ✓ w/Stipulation Signed [Signature]

SCALE: 1/8" = 1'-0"

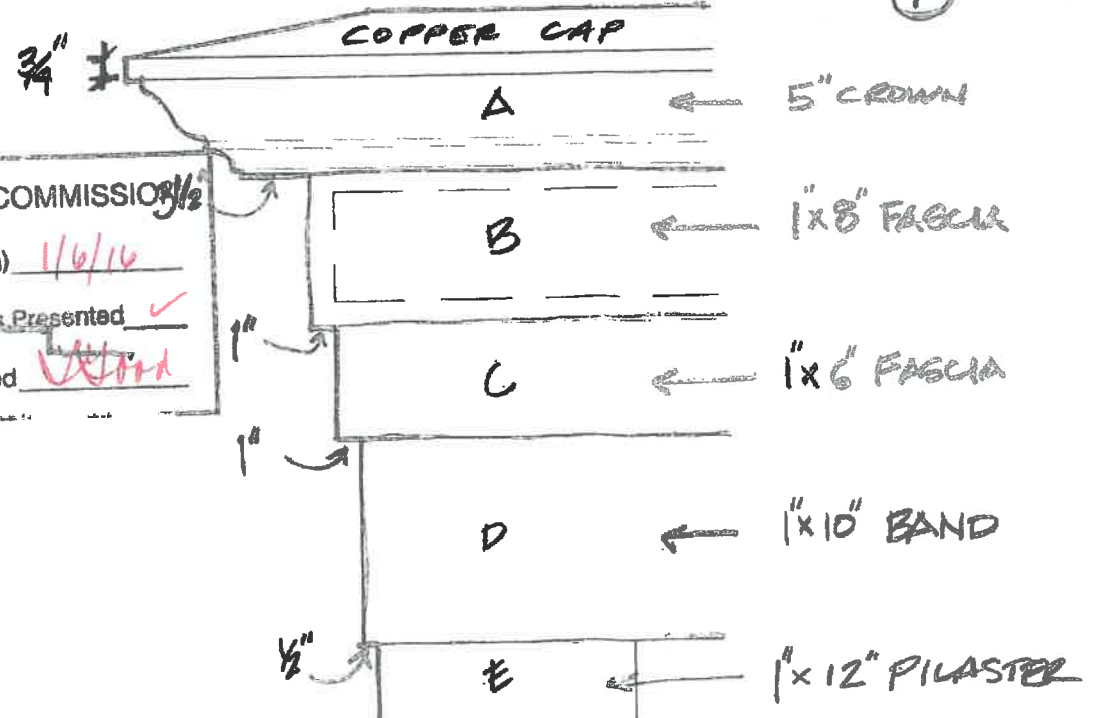
57.0'



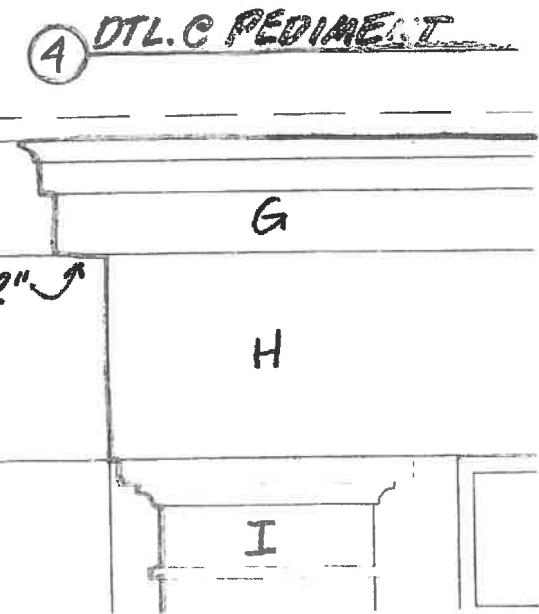
SIDEWALK



① ENLARGED ELEVATION



③ DTL. @ STORE FRONT



HISTORIC DISTRICT COMMISSION  $\frac{1}{2}$

Approved (date of meeting) 11/6/16

As Advertised  As Presented

w/Stipulations \_\_\_\_\_ Signed *[Signature]*

② DTL @ LANDING

RECEIVED

DEC 30 2015

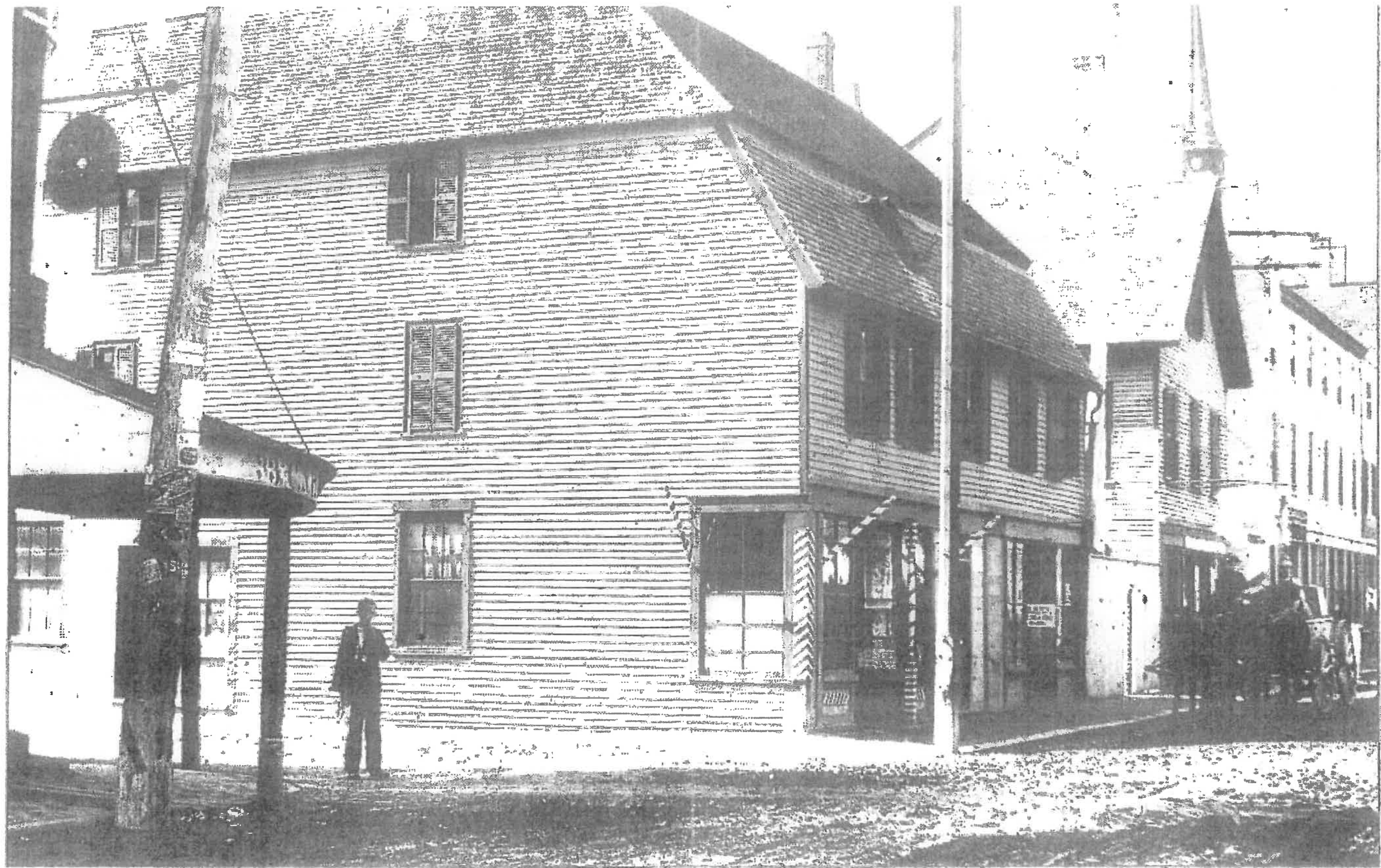
By \_\_\_\_\_

REVISIONS FROM PREVIOUS WORK SESSIONS REQUESTED Pg 2  
 RENOVATIONS TO 103-105 HIGH STREET  
 PORTSMOUTH NEW HAMPSHIRE



From the *Alameda*  
OCT 14 2015  
Received at Meeting





The Hart House was erected around 1740 and was badly damaged by fire in 1761. It was better known as 'Noah's Ark' as it was occupied by Noah Parker during the American Revolution. It was located at the corner of Ark, now Penhallow, Street and Daniel Street.

**103-105 High Street, Historic District Commission, Work Session #2**

**EXISTING CONTEXT**



**Photo 22-High Street Elevation**



**Photo 23-Back Yard Elevation**



**Photo 24-Hanover street/Parking Garage View**