

RECEIVED

NOV 25 2019

35 Bow Street

Application LU-19-223



Replacing these sashes, the exterior trim remains in place.

Existing windows are pocket replacements. Proposed windows will be pocket replacement. The existing trim and sill remain untouched.

Actual window for Bow St. would have 6 over 6 simulated divided lites on the bottom sash also.

This window's frame-in-frame design is built to fit your unique window opening, allowing for a clean replacement without disturbing the existing interior or exterior trim of your home. The Marvin Elevate™ Double Hung Insert window offers traditional styling with convenient updates, including low-maintenance fiberglass exteriors and a warm wood interior that can be stained to match existing interior trim. Tilt the sash in or remove for easy cleaning.





**Unit Features**

Elevate Double Hung Insert: ELDHIN

Elevate Double Hung Insert Picture: ELDHINP

Elevate Double Hung Insert Transom: ELDHINT

For applicable certification and code information, refer to the Introduction and Product Performance chapter.

**Frame and Sash:**

- The frame and sash exteriors are made of Ultrex®.
- Exterior colors: Stone White, Pebble Gray, Bronze, Evergreen, Cashmere, or Ebony. Frame and sash color may be selected independently.
- The interior is non finger-jointed pine, kiln dried to a moisture content of 6-12% at time of fabrication. Water-repellent, preservative treated.
- Interior wood is available as Pine bare wood or, factory-applied white, clear, or designer black finishes. Frame and sash color may be selected independently.

**Frame:**

- Composite frame thickness is 1 13/16", (46). Frame width is 3 1/4", (83). Sloped sill with 8 degree bevel. Non finger-jointed pine interior frame liner is applied to all units. Ultrex is .075" (2) thick. Sloped sill with 8 degree bevel.

**Sash:**

- Composite sash thickness is 1 17/32" (39). Ultrex is .070" (2) thick. Sash can be replaced but cannot be re-glazed.

**Hardware:**

- The balance system is a coil spring block and tackle system, with nylon shoe and zinc locking clutch.
- Both sash tilt into the room for cleaning or removal for painting without removing the screen.
- High-pressure zinc die cast check rail lock and keeper.
- Lock employs a cam-lock mechanism.
  - Color: Almond Frost, White, or Matte Black. Optional Bright Brass, Oil Rubbed Bronze, and Satin Nickel.
- Each sash employs spring loaded tilt latches to allow for easy tilting or sash.
- On units 42 3/32" (1069) and wider, two locks are mounted.
- Optional factory applied Window Opening Control Device is available on all sizes. A system consisting of an acetal lever housed in an acetal shell on each stile of the top sash. This device works in accordance to ASTM F2090-17 standard specification for window fall prevention devices with emergency escape.
  - Color: White, Beige, or Black.
- Optional field-applied flush-mounted, die-cast sash lift.
  - Available Colors: Almond Frost, White, Bright Brass, Satin Nickel, Oil Rubbed Bronze, and Matte Black finishes.

**Installation:**

- Operator
  - Secure the jambs with minimum of two #8 x 3" pan head screws.
  - Maximum spacing of jambs not to exceed 3/16".
  - Secure the head jamb with either zero or two #8 x 3" pan head screws.
- Picture:
  - Secure the jambs with minimum of two #8 x 3" pan head screws.
  - Maximum spacing of jambs not to exceed 3/16".
  - Secure the head jamb with two #8 x 3" pan head screws.

**Glazing:**

- All units are manufactured with an 11/16" (17) IG with Low E1, E2, E3, or E3/ERS coatings including argon gas or air fill. Clear (uncoated) glass available with air fill only.
  - Tripane not available.
- Tempered glass and/or obscure glass, and California Fire glass (annealed exterior and tempered interior glazing configuration) are available as an option.
- The glazing seal is a silicone bedding on both interior and exterior surfaces utilized in a sandwich style sash.
- STC/OITC values are available for 3.1 mm glass thickness.
  - Optional 3.1/4.7 STC/OITC Upgrade glass is available. See the Product Performance chapter for STC and OITC ratings.
- Decorative glass options include glue chip, rain, reed, narrow reed, frost, and tinted (bronze, gray or green). Decorative glass is not available with Low E1, Low E3/ERS, or STC/OITC Upgrade options.

---

**Unit Features Continued****Weather Strip:**

- All units are dual weather stripped.
- All weather strip is beige, black, or white in color.
- Jamb weather strip is a robust fabric covered foam weather strip that is inserted into a rigid vinyl jamb carrier and used to seal sash to jambs. An additional jamb weather strip is inserted into Ultrex/wood and seals bottom sash to jamb.
- Parting stop is vinyl with a flexible leaf seal to seal between the header and the upper sash.
- Check rail weather strip is a hollow bulb.
- Bottom rail extension has a hollow bulb weather strip that interfaces against the Ultrex sill and jamb weather strip.
- Picture and transom units is a hollow bulb weather strip that is inserted into rigid vinyl jamb carrier and head jamb carrier to seal sash.

**Screen:**

- Full screen is standard. Half-screen option is available.
- Roll formed aluminum frame with corner key construction
  - Color to match exterior frame color
- Charcoal color fiberglass (non-corrosive) screen cloth.
- Spring loaded pins for installation.

**Removable Interior Grilles:**

- Bar: Pine wood, 3/4" (19)
- Available in Pine non finger-jointed bare wood, factory-applied white, clear, and designer black finishes.
- Pattern: Standard rectangular pattern

**Interior / Exterior Simulated Divided Lites (SDL):**

- Interior bar: 7/8" (22) wide bars
  - Pine non finger-jointed wood, factory-applied white, clear, and designer black finishes
- Exterior bar: 7/8" (22) wide bars Ultrex, finish to match exterior
  - Patterns available: Rectangle, Cottage style cut, 9 lite Prairie cut or 6 lite Prairie for top sash, bottom sash, or both.
- Available with or without aluminum interior spacer bar in airspace.
- ITDHP Only: Simulated check rail option: 2 11/32" (60).
  - Patterns available: simulated rail in standard center or customer specified location with 7/8" (22) patterns above, below or both in patterns of rectangular equal lite or prairie lite cut.
- SDL spacer bars are available.
- Not available with rain, reed and narrow reed decorative glass patterns. Glue chip pattern requires tempered glass. Tinted glass available without spacer bar only.

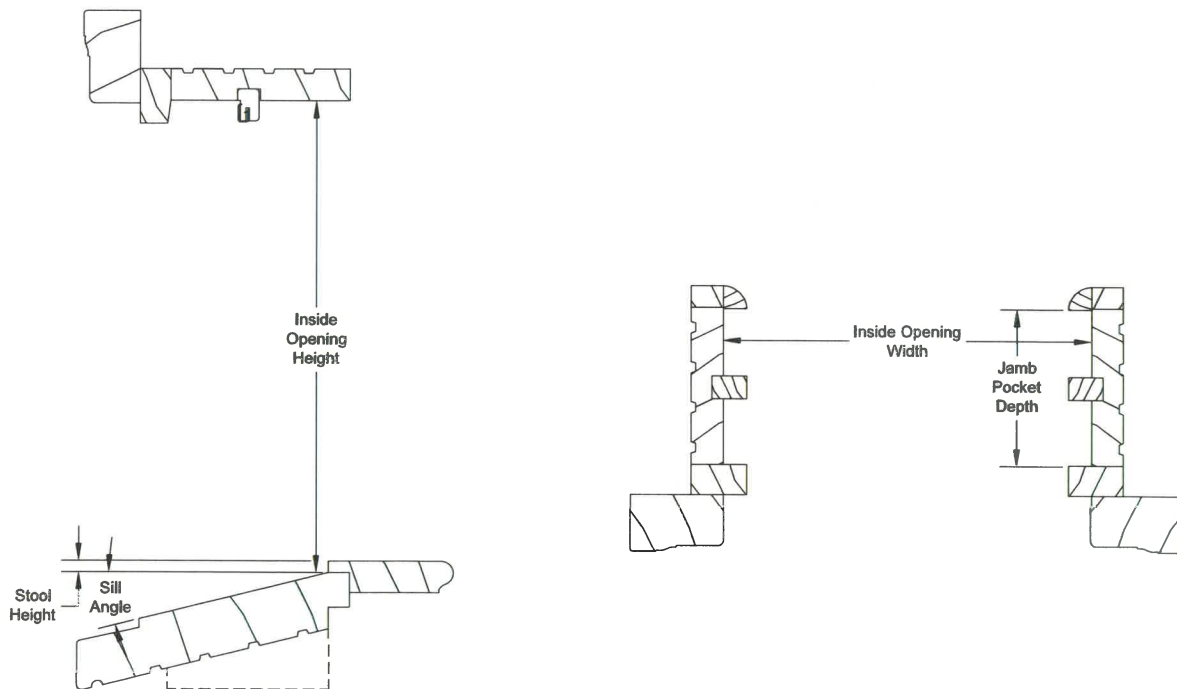
**Grilles-Between-The-Glass (GBG):**

- 23/32" (18) contoured aluminum bar placed between two panes of glass
- Pattern: Standard rectangular pattern, 6 or 9 lite Prairie cut, or Cottage style cut
  - Exterior colors: Stone White, Pebble Gray, Bronze, Evergreen, Cashmere, or Ebony
  - Interior Colors: White, Bronze, or Black.
- Not available with tinted glass.

*NOTE: NFRC values are now located on [www.marvin.com](http://www.marvin.com).*

**Measurement Conversions - Field Measurement**

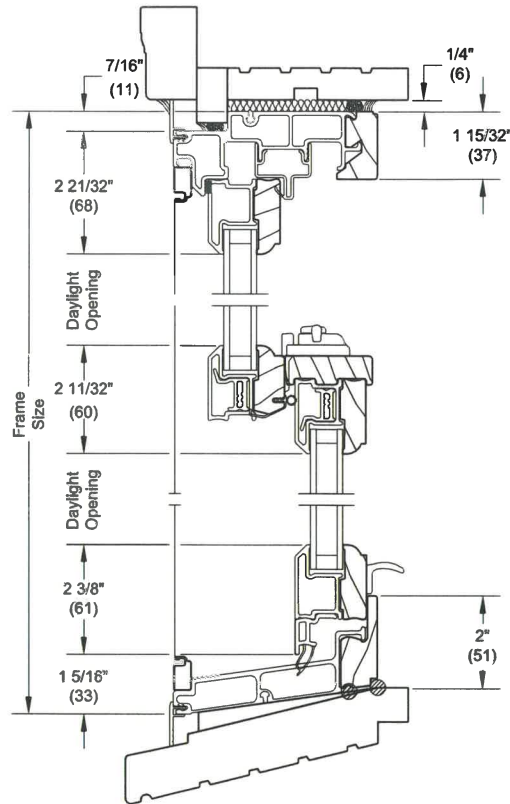
Conversion from Field Measurement to Frame OM		
Width		
Condition	Formula	
If blind stop width is 1/2 inch or less	ELDHN frame OM width = inside opening width - 0.375	
Height		
Condition	Type of Sill	Formula
If old sill angle is 8 degrees or more but less than 14 degrees	8 degree bottom sill	ELDHN frame OM height = inside opening height + 0.375



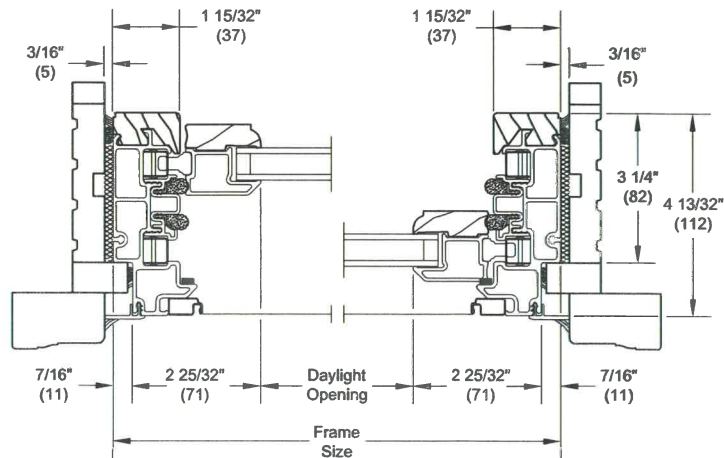
Elevate Double Hung Insert		
IO to Frame Size Height		
Existing Sill Angle	Conversions	
8° and greater	3/8	(10)
7°	5/16	(8)
6°	3/16	(5)
5°	1/8	(3)
4°	1/16	(2)
3°	0	( )
2°	-1/8	(3)
1°	-3/16	(5)
0°	-1/4	(6)

**Section Details: Operating (Interior Install)**

Scale: 3" = 1' 0"



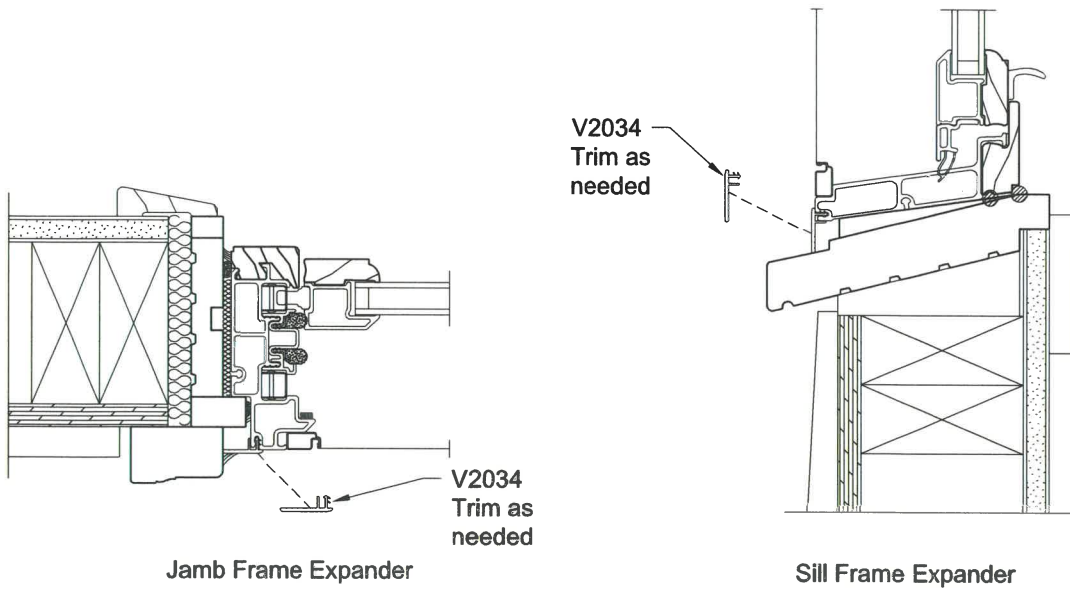
**Head Jamb and Sill  
8 Degree Bevel Sill  
Installed in Existing Frame**



**Jamb  
Installed in Existing Frame**

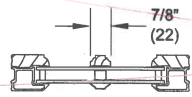
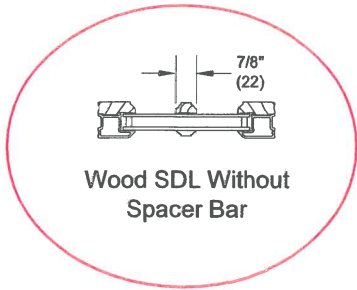
**Section Details: Frame Expander**

Scale: 3" = 1' 0"

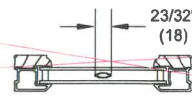




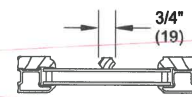
**Divided Lite Options (Not to scale)**



Wood SDL With Spacer Bar

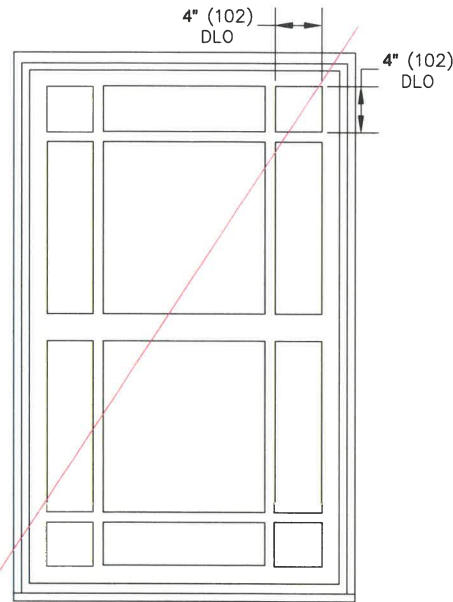
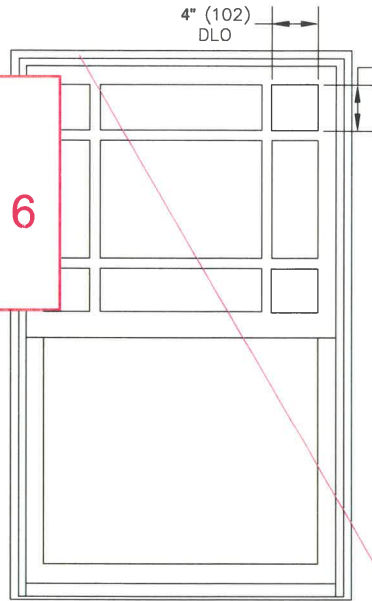


Aluminum Grille Between Glass

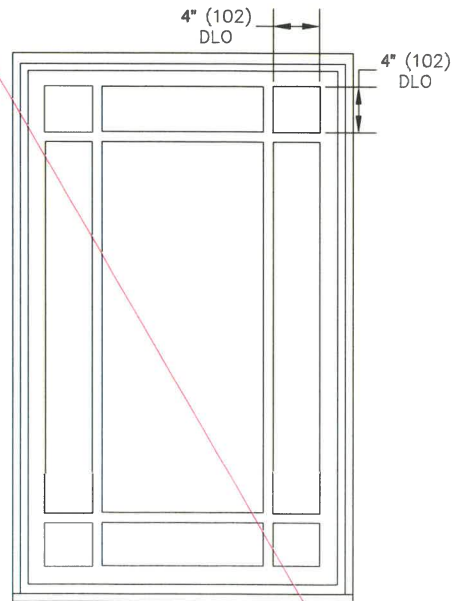
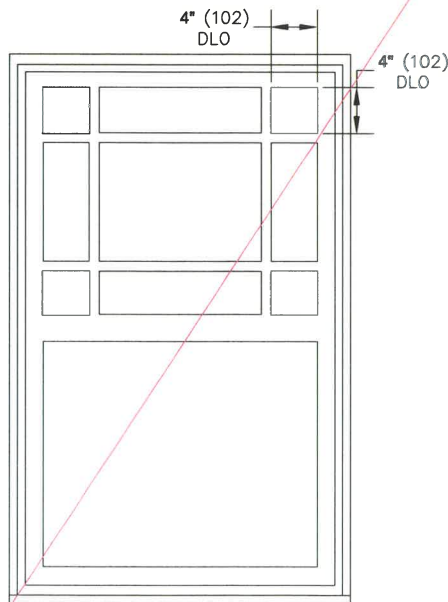


Wood Removable Grille

**Proposed windows will have a 6 over 6 configuration**



\*Optional 6 lite Prairie cut for GBG or SDL



\*Optional 9 lite Prairie cut for GBG or SDL

NOTE: 4" (102) DLO lite cut minimum for 7/8" (22) pattern